

4

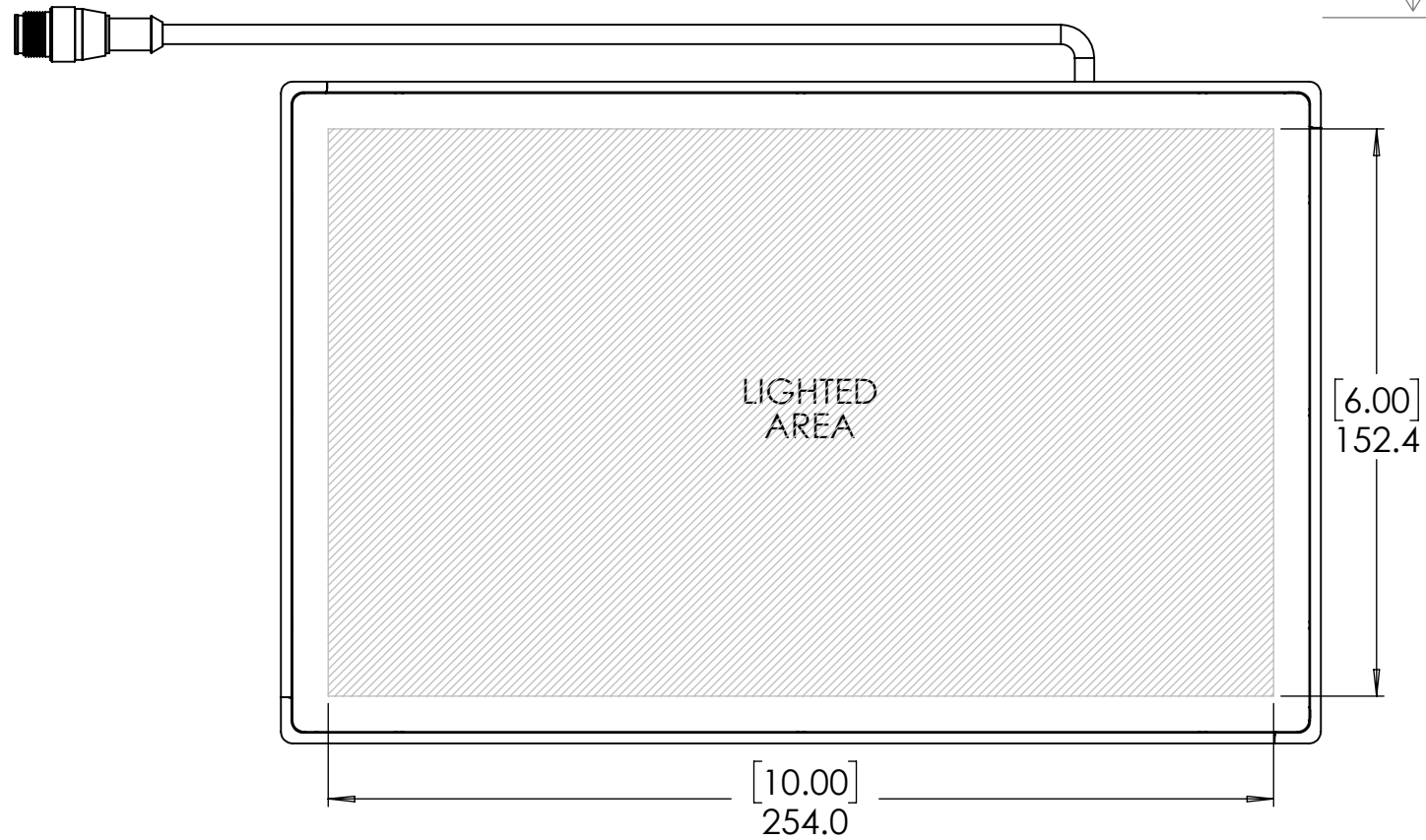
3

2

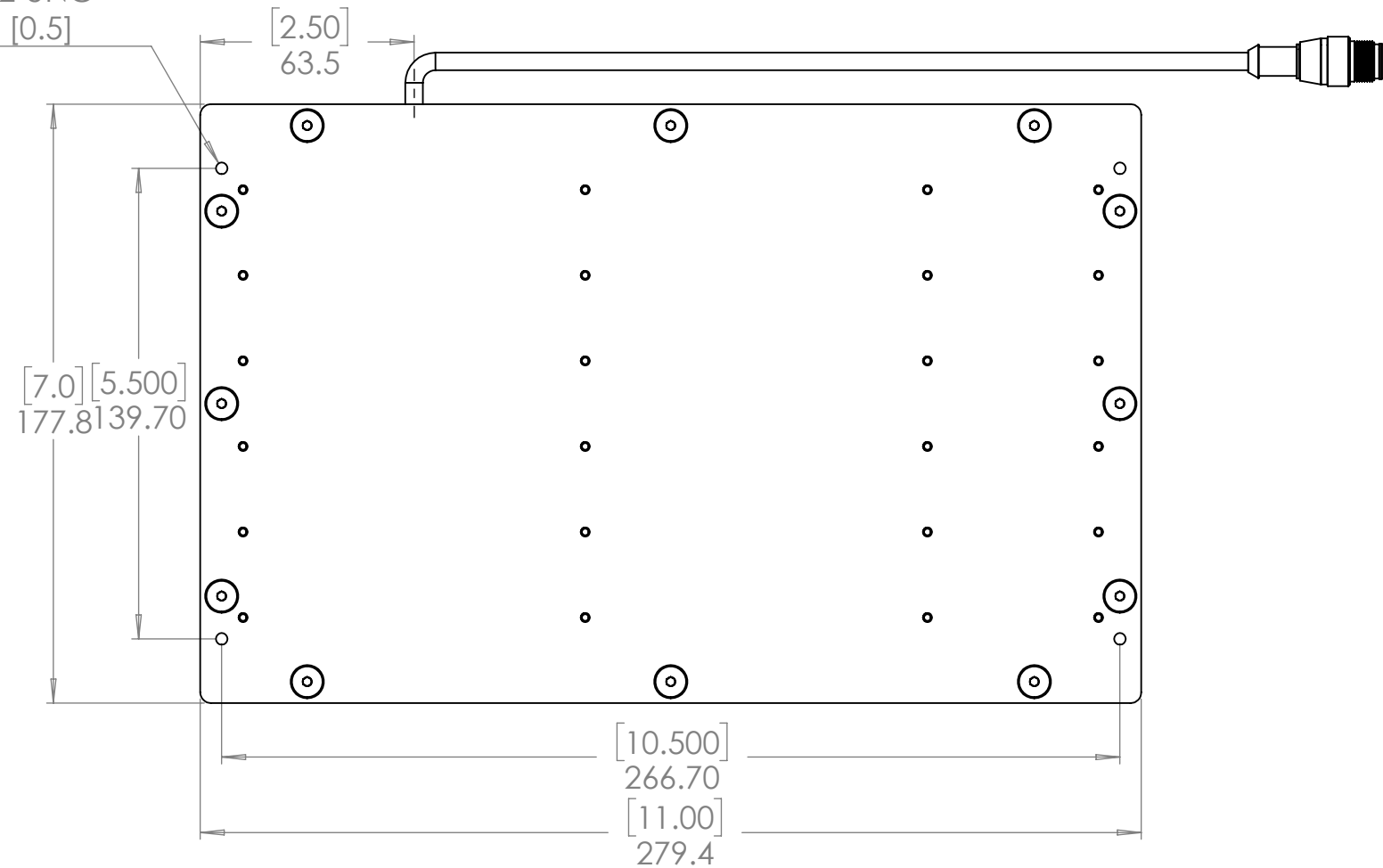
1

TOP VIEW

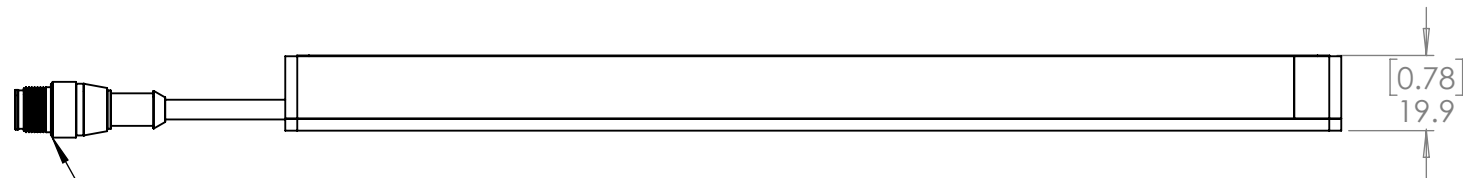
BOTTOM VIEW



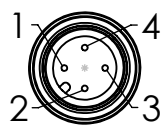
MOUNTING HOLES  
4 x 8-32 UNC  
▽ 13 [0.5]



SIDE VIEW



STANDARD EUROFAST M12 4-PIN MALE CONNECTOR



- PIN 1 - BROWN / +24VDC
- PIN 2 - WHITE / N/C
- PIN 3 - BLUE / +24VDC RTN
- PIN 4 - BLACK / STROBE-CONTINUOUS

PROPRIETARY AND CONFIDENTIAL

THE INFORMATION CONTAINED IN THIS DRAWING IS THE SOLE PROPERTY OF SPECTRUM ILLUMINATION INC. ANY REPRODUCTION IN PART OR AS A WHOLE WITHOUT THE WRITTEN PERMISSION OF SPECTRUM ILLUMINATION INC IS PROHIBITED.

UNLESS OTHERWISE SPECIFIED:		NAME	DATE
DIMENSIONS ARE IN mm [INCH]		DRAWN	DJH 04/23/21
TOLERANCES:		CHECKED	-
ANGULAR: MACH ± BEND ±		ENG APPR.	
ONE PLACE DECIMAL ±1.0		MFG APPR.	
TWO PLACE DECIMAL ±0.5		Q.A.	
THREE PLACE DECIMAL ±0.25		COMMENTS:	
INTERPRET GEOMETRIC TOLERANCING PER:			
MATERIAL	N/A		
FINISH	N/A		
DO NOT SCALE DRAWING			

**SPECTRUM ILLUMINATION**  
5114 INDUSTRIAL PARK RD.  
MONTAGUE, MI 49437

Description:  
6" x 10" Conveyor Backlight

SIZE	DWG. NO.	REV
<b>B</b>	EBL610-XXX	<b>A</b>

SCALE: 1:2 WEIGHT: SHEET 1 OF 1

4

3

2

1

B

B

A

A