

DOME LIGHT

180mm Series



GENERAL:

The DL180 can be configured with 1 to 4 different channels/colors of LED's. The DL180 can be ordered with just a single color, two color (i.e. white and infrared), three color (i.e. RGB) or four color (i.e. RGBW or RGBUV). The DL180 can also be ordered with multiple channels of the same color (except IR) for a very high output single color application.

ELECTRICAL:

Input Voltage (per CH): See LDM700 spec
 Input Current (per CH): See LDM700 spec
 Connector: M12 Quick Connect, 8 pin Euro / Micro

WARNING !!!

**Use Only Spectrum Illumination LDM Driver with Monster Lights.
 Do Not Connect Monster Lights Directly to 24VDC!**

MECHANICAL:

Dimensions: <http://www.spectrumillumination.com>
 Weight: 3.3 lbs (1.5kg)

ILLUMINATION:

Light Source: LED – 4 Colors, UV & IR
 Quantity HB LED's: 10 per channel
 Light Emitting Pattern: 7.09" / 180mm
 LED Life: up to 100,000 hours*.
 *Contact us for LED life information



PART NUMBER DESIGNATION:

DL180-XXX
 XXX = Light Color – see table dash # below
 Order part number examples:
 2 channel: DL180-850W (850nmIR and White) or DL180-RNW (Red and Natural White)
 3 channel: DL180-RGB (Red, Green and Blue) or DL180-WUVIR (White, UV and IR)
 4 channel: DL180-RGBW (Red, Green, Blue and White) or DL180-RRRR (All channels Red)



| Color | Dash # | λ Dominant Typical | λ Dominant Range | Spectral Half-width Δλ½ | λ Peak Typical | Units |
|---------------|--------|-------------------------------------|------------------|-------------------------|----------------|-------|
| Infrared | -940 | 940 | n/a | 37 | 950 | nm |
| Infrared | -850 | 850 | n/a | 30 | 860 | nm |
| Red | -R | 625 | 620 - 630 | n/a | n/a | nm |
| Green | -G | 530 | 520 - 535 | n/a | n/a | nm |
| Blue | -B | 475 | 465 - 485 | n/a | n/a | nm |
| Ultra Violet | -UV | 395 | 390 - 410 | n/a | n/a | nm |
| Pure White | -W | Color Temp 5700 - 7000K CRI 70 typ | | | | |
| Natural White | -NW | Color Temp 3800 - 5000K CRI 70 typ* | | | | |
| Warm White | -WW | Color Temp 2700 - 3750K CRI 70 typ* | | | | |

* higher CRI available on request

Light includes LDM DIN rail mount constant current driver(s) and 4-meter cable (driver(s) is available with variable or 0-10VDC intensity control - cable also available in 8, 15 and 30 meter lengths)

DOME LIGHT

180mm Series



WIRING:

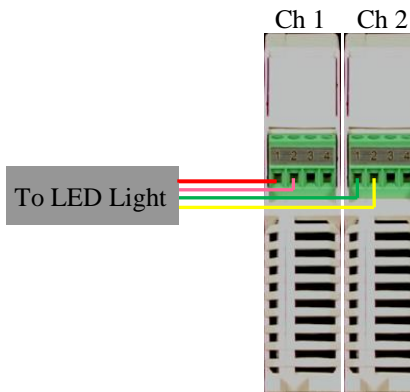
Please disregard wire color specified on _LDM700 driver and wire as indicated below:

Single Channel:

| Channel | LED Color | Wire Color | _LDM Green Connector |
|---------|------------|------------|----------------------|
| 1 | As Ordered | Red | Pin 1 |
| | | Pink | Pin 2 |

2 Channel (Qty 2 _LDM700's required):

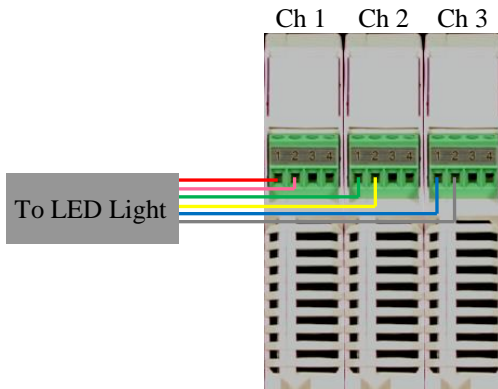
| Channel | LED Color | Wire Color | _LDM Green Connector |
|---------|------------|------------|----------------------|
| 1 | As Ordered | Red | Pin 1 |
| | | Pink | Pin 2 |
| 2 | As Ordered | Green | Pin 1 |
| | | Yellow | Pin 2 |



3 Channel (Qty 3 _LDM700's required):

RGB

| Channel | LED Color | Wire Color | _LDM Green Connector |
|---------|-----------|------------|----------------------|
| 1 | Red | Red | Pin 1 |
| | | Pink | Pin 2 |
| 2 | Green | Green | Pin 1 |
| | | Yellow | Pin 2 |
| 3 | Blue | Blue | Pin 1 |
| | | Grey | Pin 2 |



4 Channel (Qty 4 _LDM700's required):

RGBW

| Channel | LED Color | Wire Color | _LDM Green Connector |
|---------|-----------|------------|----------------------|
| 1 | Red | Red | Pin 1 |
| | | Pink | Pin 2 |
| 2 | Green | Green | Pin 1 |
| | | Yellow | Pin 2 |
| 3 | Blue | Blue | Pin 1 |
| | | Grey | Pin 2 |
| 4 | White | White | Pin 1 |
| | | Brown | Pin 2 |

