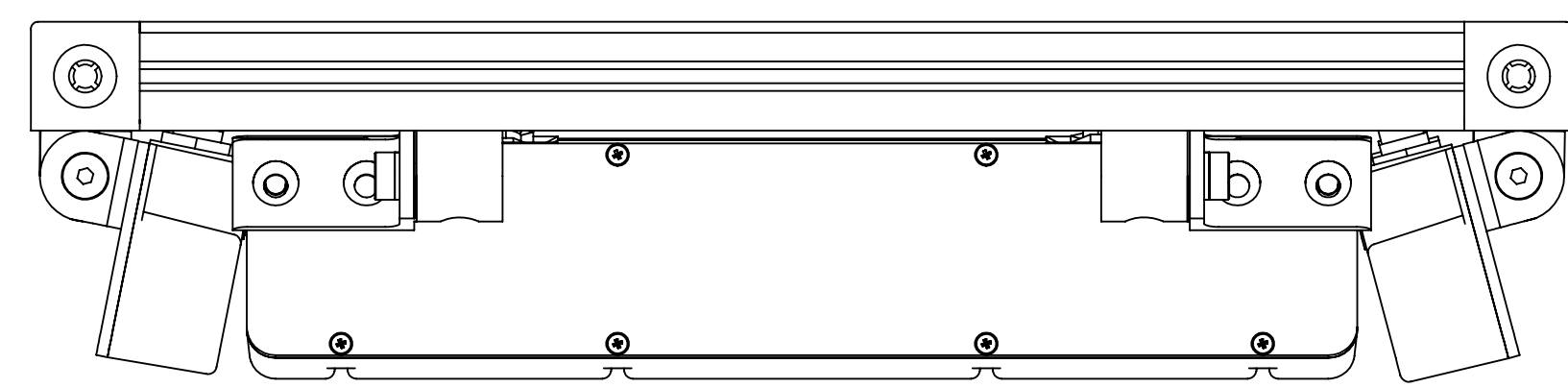
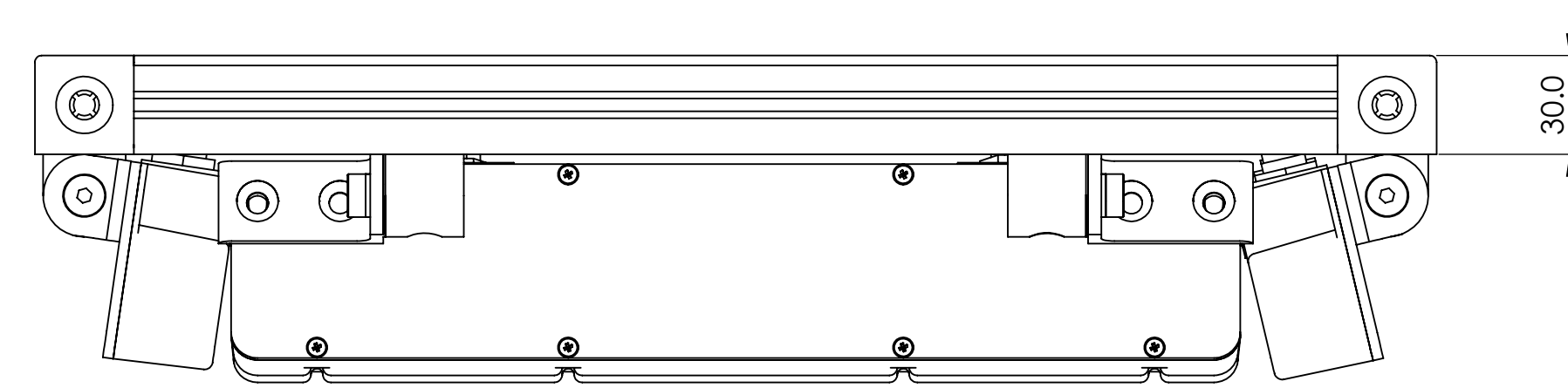
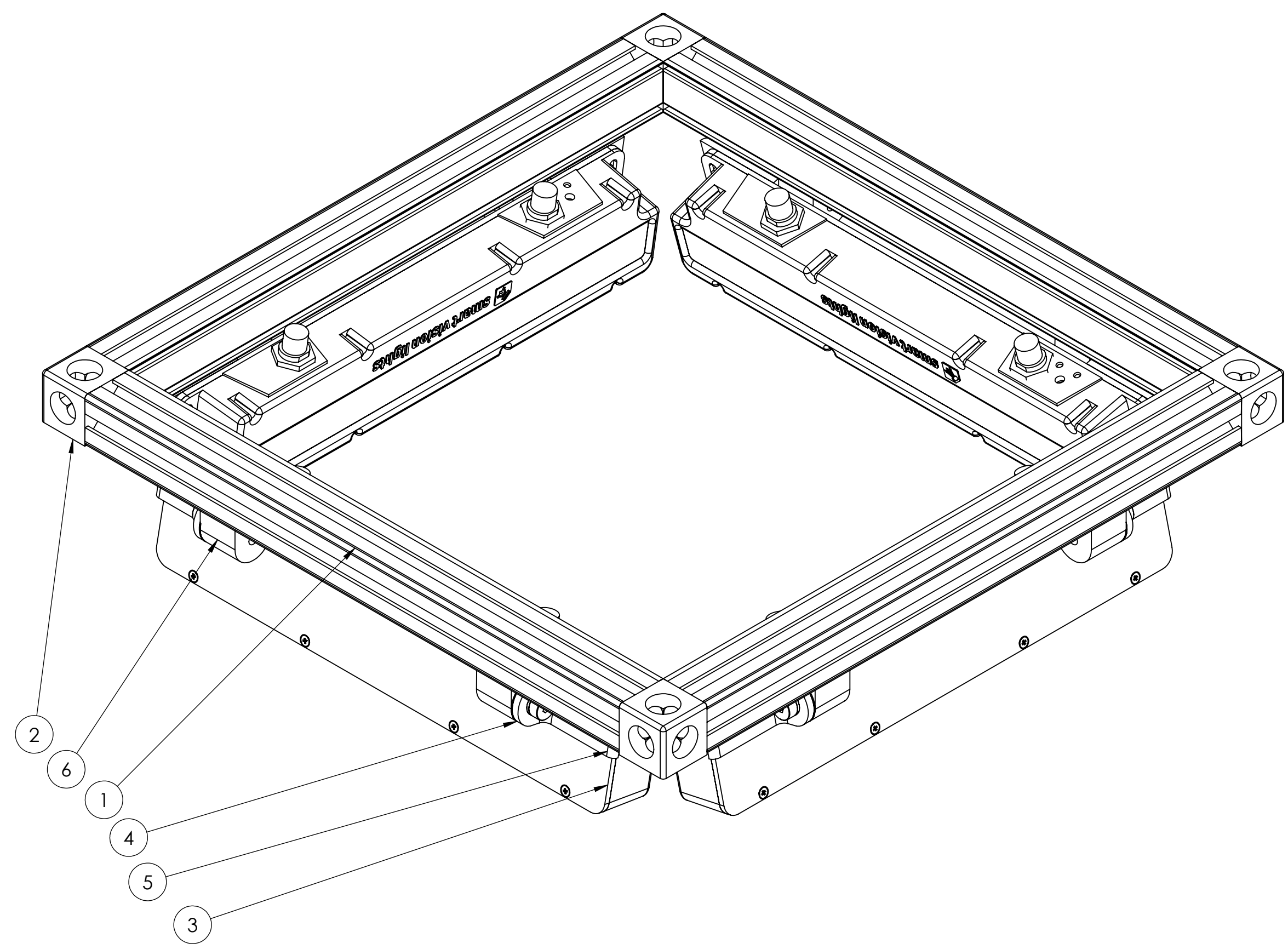
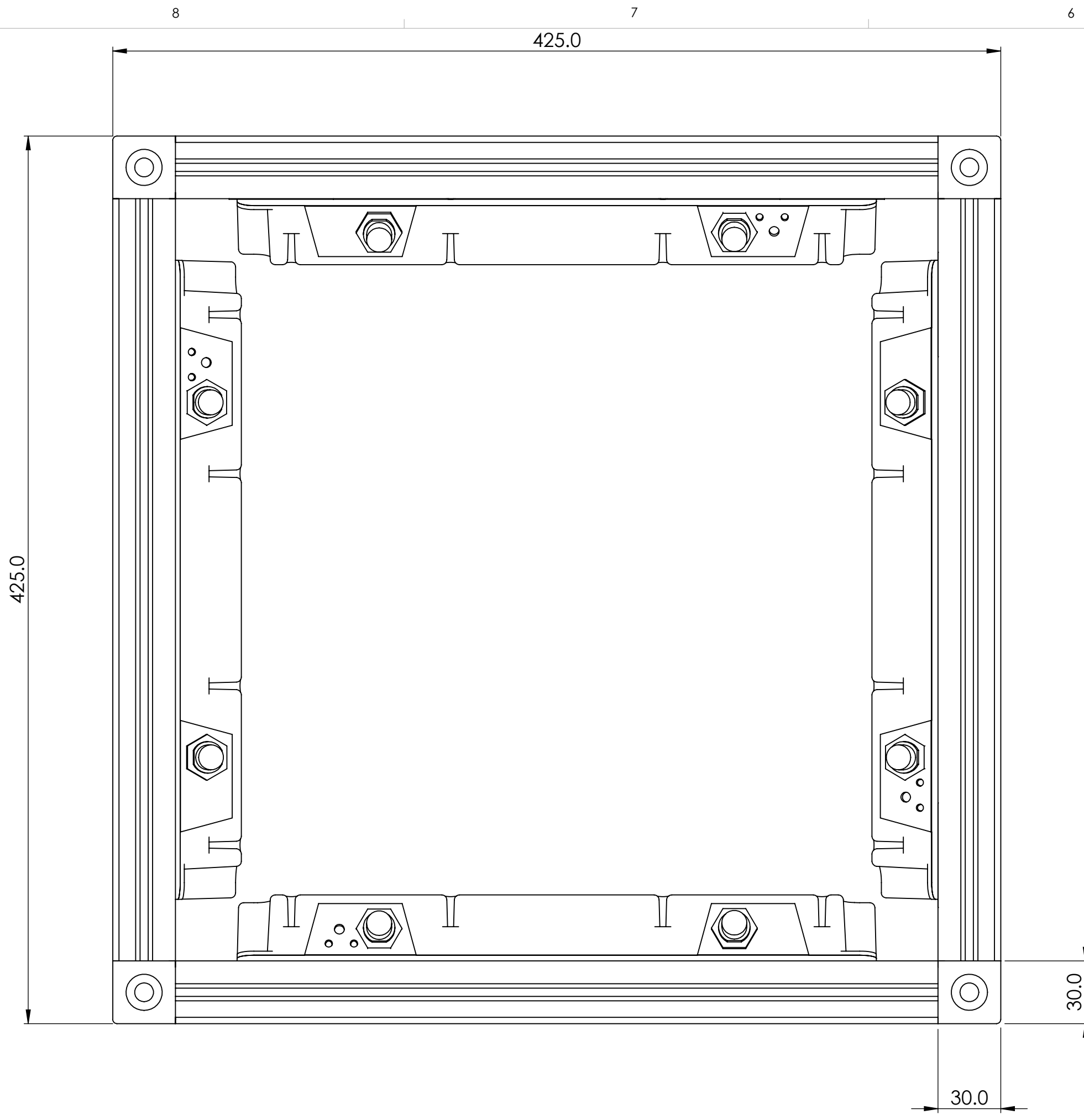


REVISIONS				
ZONE	REV.	DESCRIPTION	DATE	APPROVED



ITEM NO.	PART NUMBER	PART NAME	QTY.	VENDER	ORDERNUMBER
6	25-4184	80/20 PIVOT	8	80/20	25-4184
5	25-4172	80/20 BRACKET	8	80/20	25-4172
4	25-3501	80/20 FASTENER	8	80/20	25-3501
3	L300	L300 LINEAR LIGHT	4	SVL	
2	30-3 corner	CORNER CUBE	4	SVL	
1	SOBL-300x300x001	SOBL 365x365x30	1	TMI	

**BILL OF MATERIALS**

PROPRIETARY AND CONFIDENTIAL  
 THE INFORMATION CONTAINED IN THIS DRAWING IS THE SOLE PROPERTY OF TRI-MOTION INDUSTRIES. ANY REPRODUCTION IN PART OR AS A WHOLE WITHOUT THE WRITTEN PERMISSION OF TRI-MOTION INDUSTRIES IS PROHIBITED.

UNLESS OTHERWISE SPECIFIED: DIMENSIONS ARE IN INCHES TOLERANCES: FRACTIONAL: 1/64 ANGULAR: MATCH 25° BEND ±3° TWO PLACE DECIMAL ±.005 THREE PLACE DECIMAL ±.005	DRAWN: 2/23/2012	DATE	NAME
INTERPRET GEOMETRIC TOLERANCING PER:	CHECKED:		
MATERIAL:	ENG APPR:		
	MGD APPR:		
	IQA:		
	COMMENTS:		
NEXT ASSY:	USED ON:	FINISH:	
APPLICATION:	DO NOT SCALE DRAWING		

**DFL300**

8179 Neglun Dr. Kalamazoo, MI 49009  
 PH. 269.385.8260 Fax 269.385.8142

SCALE: 1:2 SHEET 1 OF 1