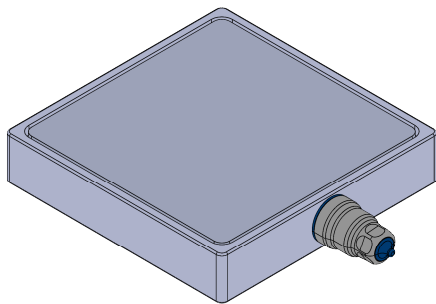
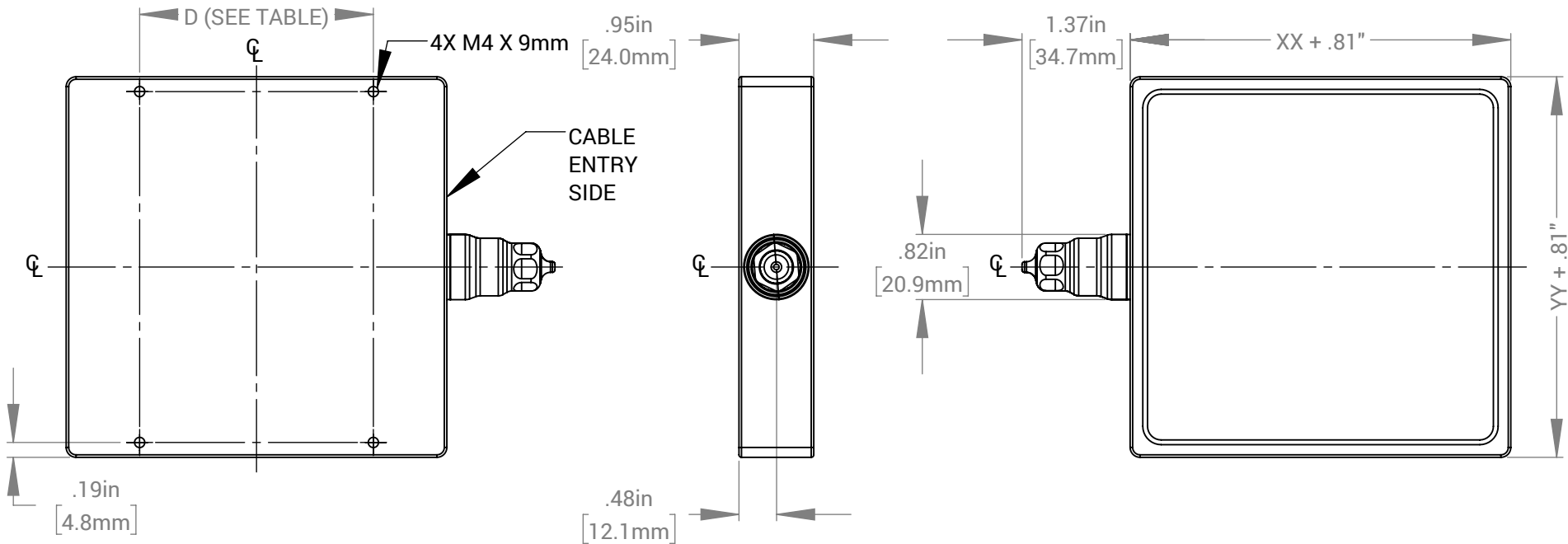


BL245 DIMENSION MATRIX

CONFIG. (BL245-XXYY)	MOUNTING HOLE DISTANCE CENTER TO CENTER IN INCHES [mm] (D)
02YY, 03YY	1.97 [50 mm]
04YY, 05YY	2.95 [75 mm]
06YY, 07YY	3.94 [100mm]
08YY, 09YY	4.92 [125 mm]
10YY, 11YY	5.90 [150 mm]
12YY	6.89 [175mm]

REVISIONS			
REV.	DESCRIPTION	DATE	DCN NO
-	FOR QUOTING PURPOSES ONLY		



FOR REFERENCE ONLY

PROPRIETARY AND CONFIDENTIAL
 THESE DRAWINGS AND SPECIFICATIONS ARE THE EXCLUSIVE PROPERTIES OF ADVANCED ILLUMINATION INCORPORATED ISSUED IN STRICT CONFIDENCE AND SHALL NOT, WITHOUT THE PRIOR WRITTEN PERMISSION OF ADVANCED ILLUMINATION INC BE REPRODUCED, COPIED OR USED FOR ANY PURPOSE WHATSOEVER EXCEPT THE MANUFACTURE OF ARTICLES FOR ADVANCED ILLUMINATION INC

4" x 4" UNIT WEIGHT: .85 lbs

CUT USING: -		UNLESS OTHERWISE SPECIFIED: SURFACE SHOULD BE FREE OF SCRATCHES, BURRS, AND DENTS DIMENSIONS ARE IN: INCHES <u>TOLERANCES</u> FRACTIONAL: ± 1/16 ANGULAR: MACH ± 1 BEND ± 1 TWO PLACE DECIMAL ± .010 THREE PLACE DECIMAL ± .005 MAKE FROM -	DATE 18-APR-19	NAME T.MILLS	ADVANCED ILLUMINATION 440 STATE GARAGE ROAD, ROCHESTER, VERMONT 05767
DRAWN	CHECKED	APPROVED	MATERIAL	FINISH	
NEXT ASSY	USED ON	APPLICATION	TITLE: DRAWING, INSTALLATION, BL245-XXYY		SIZE DWG. NO. REV A BL245-XXYY -
			SCALE: NTS C CODE:		SHEET 1 OF 1