

4

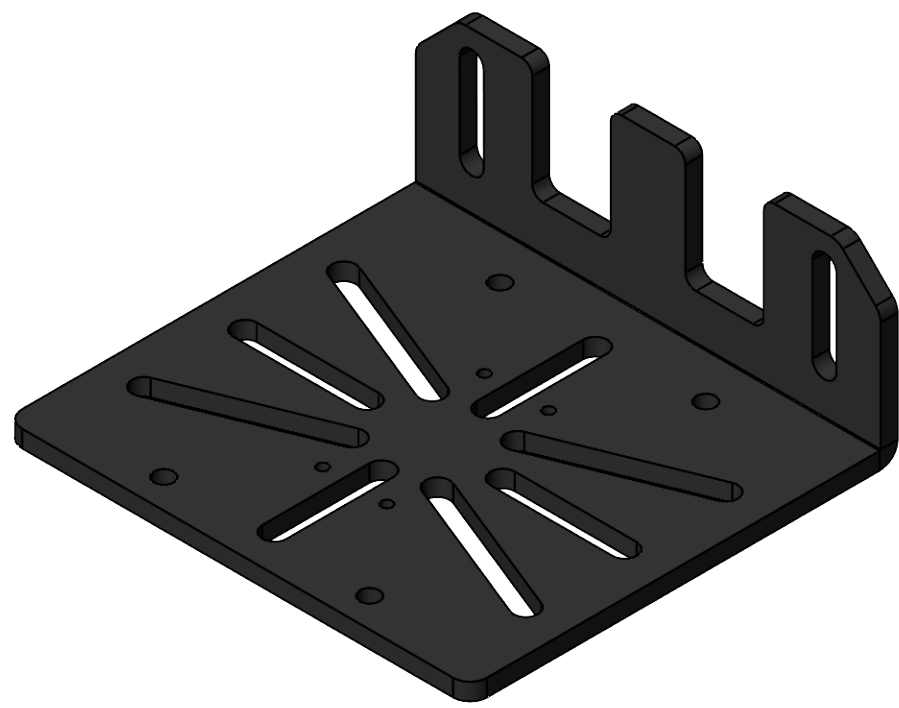
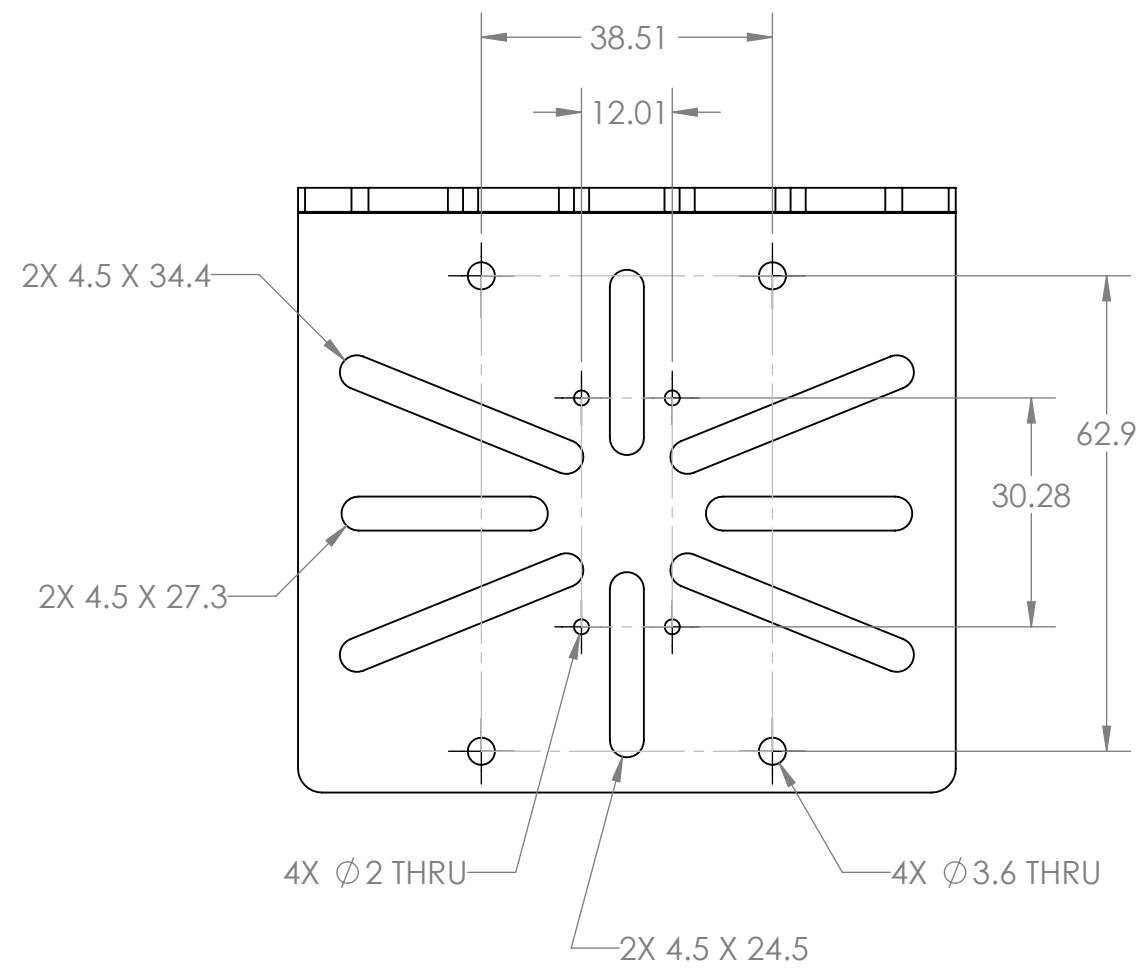
3

2

1

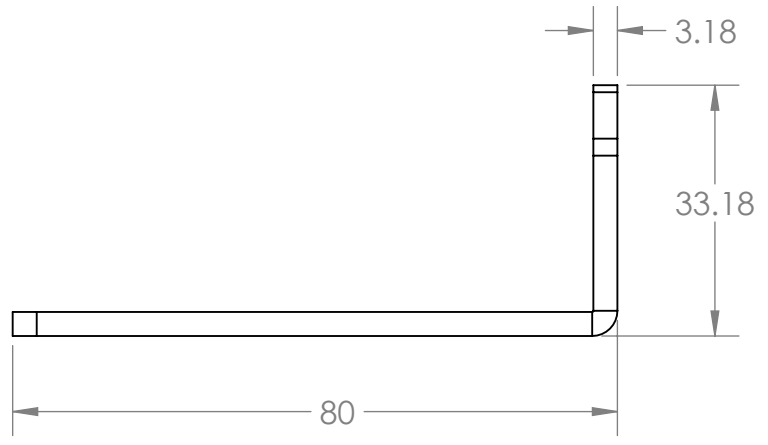
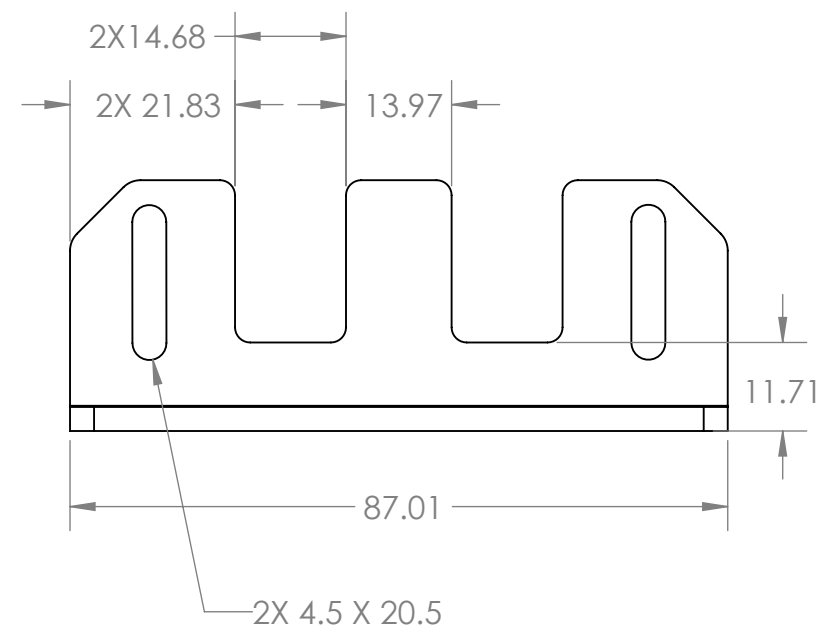
B

B



A

A



PROPRIETARY AND CONFIDENTIAL
 THE INFORMATION CONTAINED IN THIS DRAWING IS THE SOLE PROPERTY OF SmartVisionLights. ANY REPRODUCTION IN PART OR AS A WHOLE WITHOUT THE WRITTEN PERMISSION OF SmartVisionLights IS PROHIBITED.

| | | | |
|--------------------------------------|--|--------------------------|-------------|
| UNLESS OTHERWISE SPECIFIED: | | NAME | DATE |
| DIMENSIONS ARE IN MM | | DRAWN | LS 9/2/2022 |
| TOLERANCES: | | CHECKED | MP 9/2/2022 |
| FRACTIONAL ± | | ENG APPR. | LS 9/2/2022 |
| ANGULAR: BEND ± | | MFG APPR. | MP 9/2/2022 |
| TWO PLACE DECIMAL ± | | Q.A. | |
| THREE PLACE DECIMAL ± | | COMMENTS: | |
| INTERPRET GEOMETRIC TOLERANCING PER: | | UNITS ARE IN MILLIMETERS | |
| MATERIAL 6061-T6 | | | |
| FINISH BLACK ANODIZED | | | |
| DO NOT SCALE DRAWING | | | |



SVL PART NO.

BKT0038

| | | |
|----------------------|-------------|--------------|
| SIZE | ENG DWG NO. | REV |
| B | BKT0038 | 1 |
| UNIVERSAL SIDE MOUNT | | |
| SCALE: 1:1 | WEIGHT: | SHEET 1 OF 1 |

4

3

2

1