

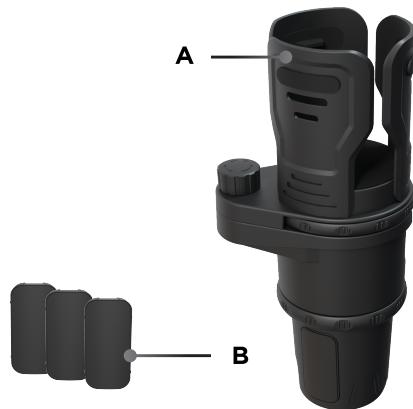
Dual CupStation™ Pro

Quick Start Guide



WHAT'S INCLUDED

- A. (1) Dual CupStation Pro
- B. (3) Base Extenders



TECH SPECS

Model: LIM-DCS2-001

Dual CupStation Pro: 9.53" x 4.57" x 3.03"

Weight: 0.81 lbs

Top Tier Cup Holder Expansion: 3" x 6"

Adjustable Base Diameter: 2.5" x 4"

Base Extenders: 2.28" x 1.18" x 0.55"

COMPONENTS

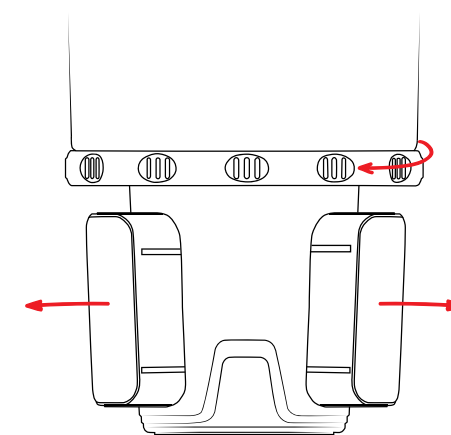
- 1. Expandable Arms
- 2. Swing Arm Lock
- 3. Top Tier Cup Holder
- 4. Expandable Arm Adjustment Dial
- 5. Bottom Tier Cup Holder
- 6. Base Adjustment Dial
- 7. Adjustable Base
- 8. Base Extenders



HOW TO INSTALL

Installing the Dual CupStation Pro

- 1. Insert the Dual CupStation Pro Base into a vehicle's cup holder.



- 2. Turn the Base Adjustment Dial clockwise to expand until Dual CupStation Pro is secured in cup holder.

NOTE: Use Base Extenders for larger cup holders.

LIMITLESS™

All rights reserved.
Limitless Dual CupStation™ Pro, Dual CupStation™ Pro, and Limitless™ are trademarks of Limitless Innovations, Inc. Design and specifications subject to change without notice. Products may vary from images shown. Accessories sold separately.

LimitlessInnovations.com
Support@LimitlessInnovations.com
(855) 843-4828

Limitless Innovations, Inc.
4800 Metalmaster Way
McHenry, IL 60050

© Limitless Innovations, Inc.



@LimitlessInnovations



/LimitlessInnov



/LimitlessInnov



/LimitlessInnov

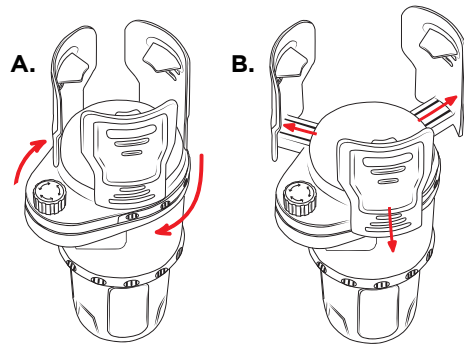


Limitless Innovations

Designed in USA. Made in China.

Opening and Closing the Expandable Arms

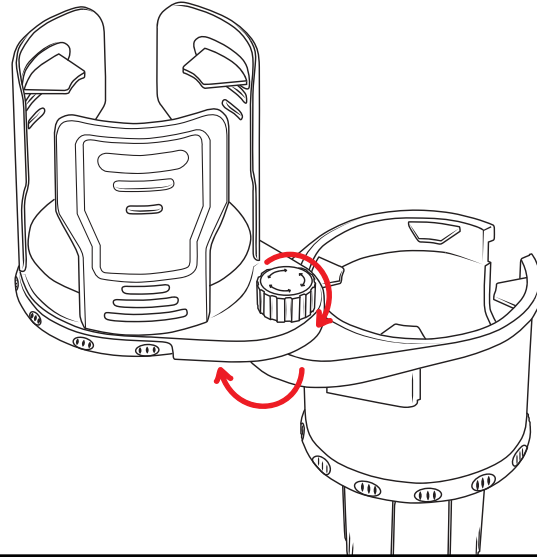
1. Turn the Expandable Arm Adjustment Dial clockwise to open the Expandable Arms **(A)**.
2. Turn the Expandable Arm Adjustment Dial counter-clockwise to close the Expandable Arms **(A)**.



3. To further expand the width of the Top Tier Cup Holder, just pull out the Expandable Arms **(B)**.

Rotating the Top Tier Cup Holder

1. To rotate the Top Tier Cup Holder, loosen the Swing Arm Lock by turning counter-clockwise.
2. Spin the Top-Tier Cup Holder to the desired position and tighten the Swing Arm Lock by turning clockwise.



SAFETY INFORMATION

By using the Limitless Dual CupStation Pro, you hereby agree that Limitless Innovations, Inc., an Illinois Corporation and its affiliates (“Limitless”) shall have no liability for any losses associated with property damage, personal injury or loss of life that are incurred by you or by any third party in connection with or relating in any manner whatsoever to your use of the Limitless Dual CupStation Pro. By using the Limitless Dual CupStation Pro, you hereby agree at all times to comply fully with all safety warnings, operating instructions and general safety information in this user manual. By using the Limitless Dual CupStation Pro, you further agree to hold harmless Limitless, (and Limitless’ officers, directors, shareholders and employees) in connection with any losses sustained by you (including, without limitation, losses arising in whole or in part from property damage, personal injury or loss of life) relating in any manner whatsoever to your use of the Limitless Dual CupStation Pro.

SAFETY WARNINGS

- Please keep the Dual CupStation Pro and all accessories out of reach of small children.
- Do **NOT** modify the Dual CupStation Pro. Doing so will void the warranty.
- Do **NOT** force an item in between the Adjustable Arms. Doing so may cause the Adjustable Arms to break.
- It is recommended to install the Dual CupStation Pro before operating a vehicle.
- Limitless Innovations does **NOT** condone and strongly advises against usage of mobile device while driving.

SCAN TO LEARN MORE

