



WHAT'S INCLUDED

- A. 1x 16.42" 3-Prong Stake
- B. 1x Detachable Stabilizer Stake
- C. 4x 15.75" Pole Sections
- D. 2x Thumb Screws
- E. 1x Adapter
- F. 3x Adapter Screws
- G. 1x Allen Wrench

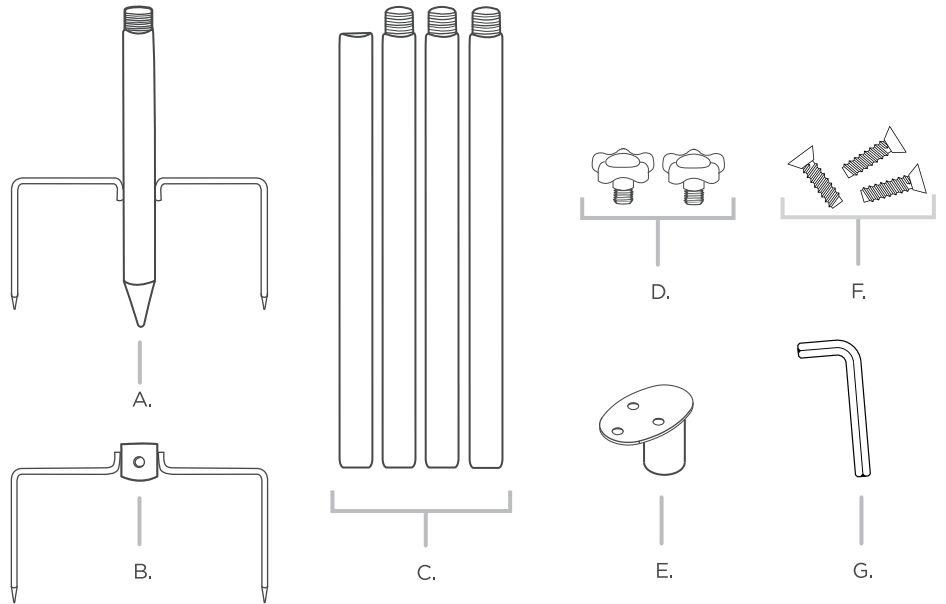
Need More Help?

LimitlessInnovations.com

Support@LimitlessInnovations.com
(855) 843-4828

Limitless Innovations, Inc.
4800 Metalmaster Way
McHenry, IL 60050

1-Year Limited Warranty
LimitlessInnovations.com/Warranty



ASSEMBLY INSTRUCTIONS

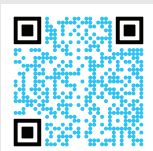
Attaching Adapter to Hello Birdie

1. With the Hello Birdie upside down, place the Adapter (E) with the flat surface directly on the Hello Birdie so the three holes on the Adapter align with the three threaded holes on the Hello Birdie.

NOTE: To avoid a mess, please clean the Hello Birdie before performing this step.

2. Use the (3) Adapter Screws (F) to attach the Adapter (E) to the Hello Birdie with the Allen Wrench (G) **DO NOT** over tighten.
3. Once the Hello Birdie is secured to the Adapter, proceed to the Stake & Pole Assembly.

SCAN TO LEARN MORE



Stake & Pole Assembly

1. Slide the Detachable Stabilizer Stake (B) onto the 3-Prong Stake (A), so it lays directly on top of the 3-Prong Stake (A).
2. Rotate the Stabilizer Stake (B) until the prongs of the 3-Prong Stake (A) and Stabilizer Stake (B) form a plus sign (+) when viewed from overhead.
3. Turn the Thumb Screw (D) clockwise to tighten and until the Detachable Stabilizer Stake (B) is secured and cannot rotate freely.
4. Add a Pole Section (C) to the 3-Prong Stake by connecting and turning clockwise to tighten. Add additional Pole Sections until the desired height is reached.

NOTE: Always make sure the Pole Section without the threaded adapter is the last Section added to achieve desired height.

1x Pole Section: 15.75" total height
2x Pole Section: 31.5" total height
3x Pole Section: 47.25" total height
4x Pole Section: 63" total height

Attaching Hello Birdie to Stake

1. Slide the Adapter (E) onto the end of last Pole Section (C) added.
2. Turn the Thumb Screw (D) clockwise to tighten and until the Adapter (E) is secure and cannot rotate freely.
3. Find the ideal spot in the yard and install. Make sure each of the four prongs are securely imbedded in the ground.

NOTES:

1. It's recommended to install when the ground is soft.
2. Use a rubber mallet to help imbed the Prongs into the ground.
3. **DO NOT** step on Prongs to install. Doing so may cause Prong to bend or break.
4. Use a level when installing.