



APIMAYE 7 FRAME HIVE / NUC

Thank you for your purchase & welcome to the growing
Apimaye Beekeepers Family now in more than 30 countries!
Please follow the instructions included on how to set up and use
the Apimaye 7 frame hive / nuc



US PATENTED

Please contact us at info@apimaye-usa.com for any questions or problems

BOX CONTENTS

ERGONUC NUC SERIES



- a. Hive top cover
- b. 2 top feeders
- c. 7 plastic handy frames
- d. Division / Uniting board
- e. Hive body
- f. Bottom board

BOX CONTENTS



a



b

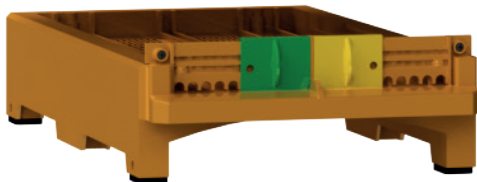


c

d



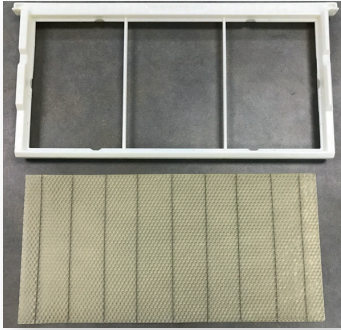
e



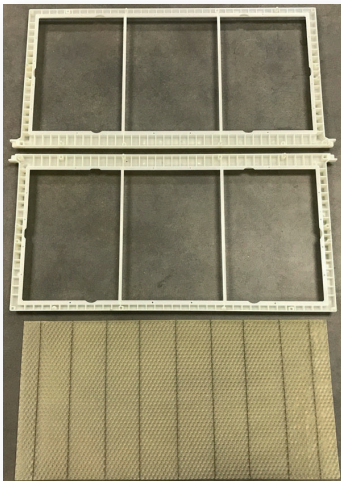
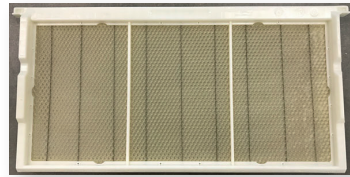
f

SIMPLE ASSEMBLY

Your Apimaye 7 frame hive / nuc is almost ready to go. All you need to do is add **wax foundation** on your plastic handy frames



1. Your handy frames use standard deep size wax foundation (8 1/2" x 16 3/4")

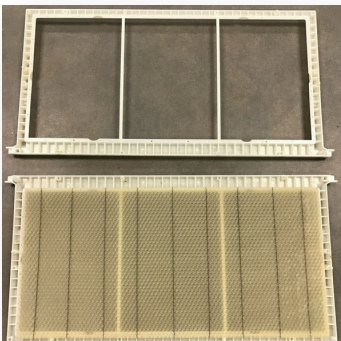


2. The handy frames are made of 2 pieces that snap each other. There are pins at both the top and the bottom side.

Just split the two pieces and place them like shown on the left.

Splitting them for the first time will be harder, you may want to use a hive tool or a small knife to make it easier.

Do not split the frames like opening a book as it may damage the pins at the bottom. Just try to keep them parallel.



3. Put the wax foundation on top of one of the halves, and then snap the other half back on. It should take about a minute per frame.

HIVE OPERATION FOR 1 COLONY SYSTEM



You can easily use your Apimaye nuc for a single colony or for two colonies.

- If you would like to use it as a 7 frame single colony hive, remove the division board and add the seventh frame (Bottom left picture).
- You can add a 7 frame Apimaye nuc super to make it a 2 or more story strong colony (Bottom right picture)
- Please note that 8 frame wooden supers are too wide and can not be used on your Apimaye 7 frame hives.



NUC OPERATION FOR 2 QUEEN SYSTEM



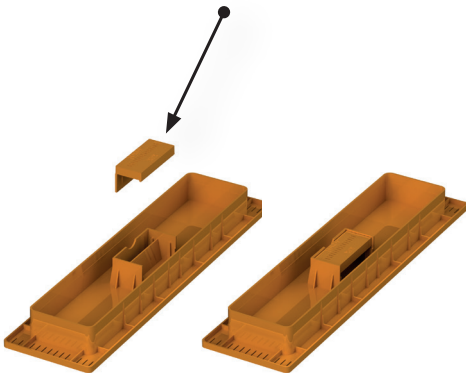
If you'd like to use it for 2 queen system:

- Install the division board in the middle slot with all round slots in closed position
- Place the frames of bees on each side.
- Make sure both colonies have queens

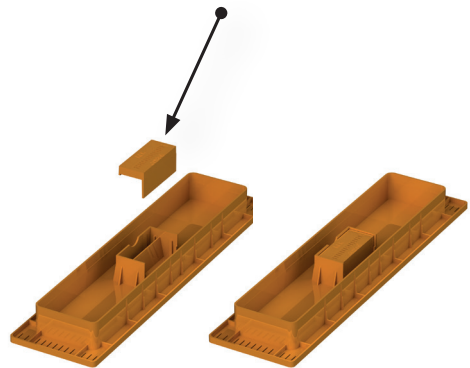
USING FEEDER



Place the feed selector like this when feeding fondant



Place the feed selector like this when feeding syrup



- Your Apimaye 7 frame hive / nuc comes with 2 top feeders.
- You can use them for feeding sugar syrup, and/or fondant

USING BOTTOM BOARD

- Your 7 frame hive / nuc comes with a screened bottom board and a mite tray.
- The tray can be removed from the back and cleaned easily
- The bottom tray can be used with a sticky board for monitoring Varroa mite and small hive beetle

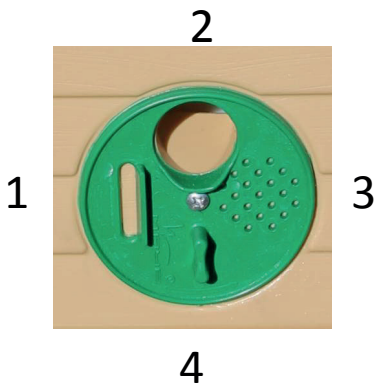


Removable bottom tray

ADDITIONAL NOTES



- The hive top cover has 2 slots for the latches, please use the bottom slot



- The round entrances have 4 settings, you can rotate them to your needs
 1. Allows workers, prevents queen flights
 2. Allows queen mating
 3. Ventilation
 4. Closed

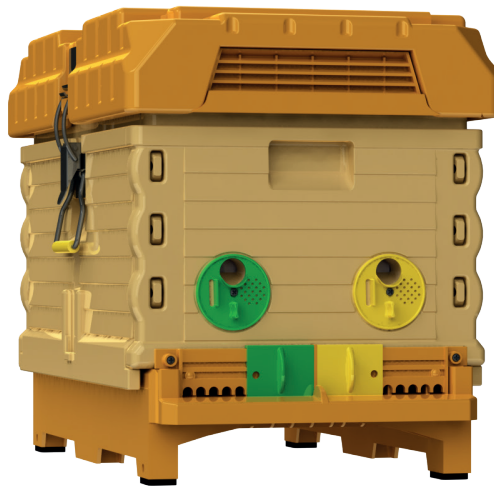


- To divide the colony, use the division board with the slots closed



- To unite 2 colonies, adjust the circular gates for the small slots first, then remove the board a few days later

YOUR APIMAYE BEEHIVE



DON'T FORGET TO REGISTER

**Please register your product at
apimaye-usa.com/register**

And while you're online, join our Facebook group
Apimaye Beekeepers where you can ask beekeeping
questions or share your bee pictures

Welcome to the family!




APIMAYE
INNOVATIVE BEEKEEPING EQUIPMENT

36551 - Copyright © 2018 ApiMaye - February - Print Turkey - millimetretasarim.com

Something not right?

**Please do not return!
You can reach us at
480-648-8385 or
info@apimaye-usa.com
Let's make it right together :)**

