

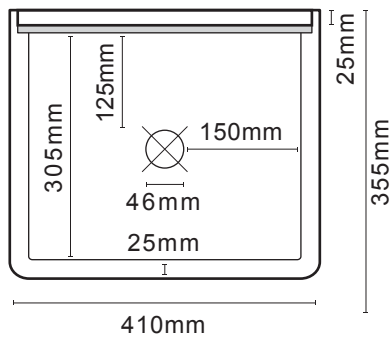


Herbert

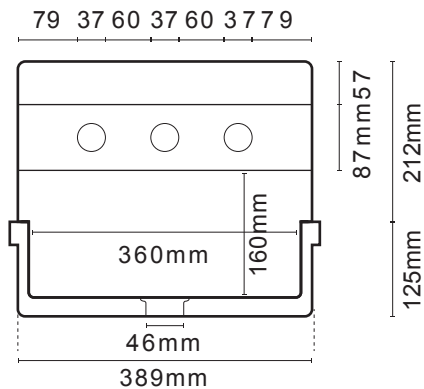
Based on a 1950's design, Nood take a step back, to take a step forward. The Herbert basin is the perfect designer piece for your bathroom space.



PLAN VIEW



SECTION VIEW



SPECIFICATIONS

| | |
|---------------------------|---|
| MATERIAL | UHP Concrete |
| FINISH | Matte / Low Sheen |
| WEIGHT | 14.1kg (30.9lbs) |
| DIMENSIONS | W410x D355mm x H335mm (L16.2in x W13.1in x H13.1in) |
| BOWL CAPACITY | 15.3L (3.96gal) |
| TAP HOLE | Only available as pictured |
| OVERFLOW AVAILABLE | N/A |
| WASTE RQD | 32mm or 40mm Standard not provided by Nood |
| WARRANTY | 24 months |
| WASTE HOLE SIZE | 46mm (1.8in) |
| WALL THICKNESS | 18mm |
| OPTIONS | Surface Mount / Wall Hung |
| WALL HANG RQD | Mount before tiling - to timber frame or masonry wall. |

All dimensions are estimate. We suggest waiting until receiving Nood basins before cutting holes in cabinetry items. Colours of concrete may vary slightly.

WALL HUNG BRACKET



8mm aluminium powdercoated. Bracket, fixings, adhesive provided with each wall hung basin purchased.

AVAILABLE COLOURS



L297mm x W305mm x H122mm
(L11.6inx W12.0in x H4.8in)

THICKNESS

Wall Hang Bracket: 8mm (0.3in)
L Bracket: 3mm (0.1in)

WEIGHT

Wall Hang Bracket: 2.0kg (4.40lbs)
L Bracket: <250g (0.5lbs)

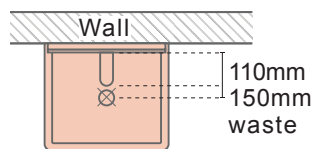
INSTALLATION

Timber Wall: tiny.cc/udkhlz
Masonry Wall: tiny.cc/0gkhlz

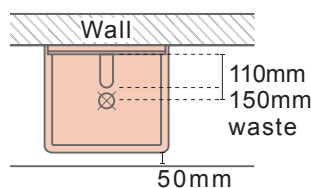
Basin to be mounted after tiling.

SUGGESTED TAP / FAUCET POSITION & LENGTH

WALL HUNG BASIN



SURFACE MOUNTED BASIN



INSTALL HEIGHT

