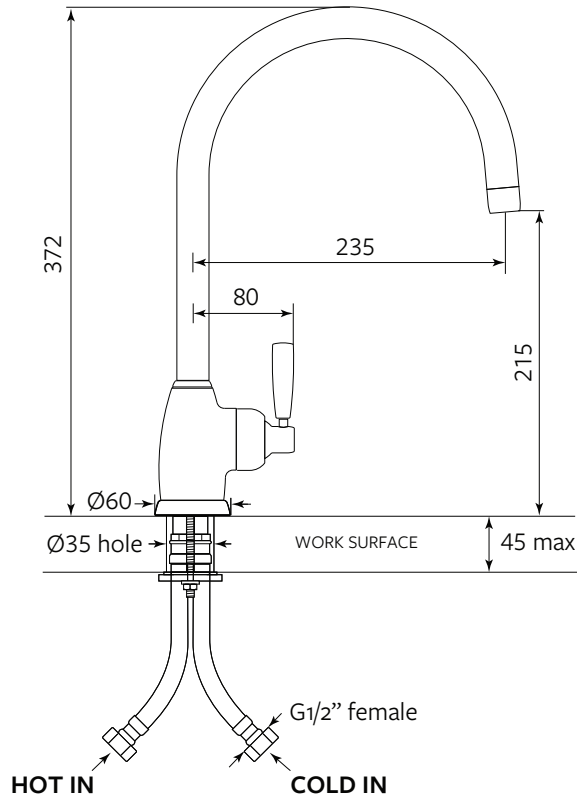


# Roeburn

AUSH.4841



MODEL	CODE
Roeburn - Chrome	AUSH.4841CP
Roeburn - Nickel	AUSH.4841NI
Roeburn - Pewter	AUSH.4841PF
Roeburn - English Bronze	AUSH.4841EB
Roeburn - Satin Brass	AUSH.4841SB
Roeburn - Polished Brass	AUSH.4841BR
Roeburn - Gold ( <i>special order</i> )	AUSH.4841IG

*Also Available: Roeburn with Spray Rinse (AUSH.4846) Please note, spray rinse cannot be added to the standard mixer later.*

**Features include:**

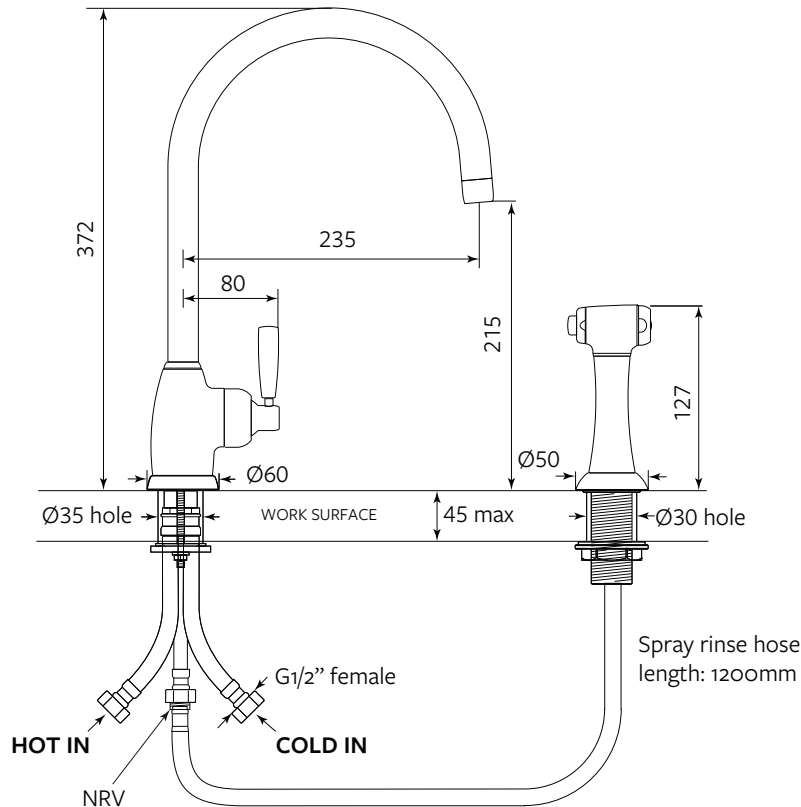
- Handcrafted in the United Kingdom using DZR brass
- Single metal lever handle with engraved temperature indicators
- 1/4 turn German ceramic disc flow control
- Vernier insert for accurate handle alignment
- 15 Year warranty. Please visit our website for individual finish warranties

Temperature range: Min 1°C. Max 70°C  
 Working Pressure: Min 1 Bar/15psi. Max 5 Bar/75psi  
 Packed Weight: 2.97kg  
 Flow Rates: 1 Bar: 5.9L/min  
 2 Bar: 9.7L/min  
 3 Bar: 12.5L/min



# Roeburn with Rinse

AUSH.4846



MODEL	CODE
Roeburn with Rinse - Chrome	AUSH.4846CP
Roeburn with Rinse - Nickel	AUSH.4846NI
Roeburn with Rinse - Pewter	AUSH.4846PF
Roeburn with Rinse - English Bronze	AUSH.4846EB
Roeburn with Rinse - Satin Brass	AUSH.4846SB
Roeburn with Rinse - Polished Brass	AUSH.4846BR
Roeburn with Rinse - Gold ( <i>special order</i> )	AUSH.4846IG

Also Available: Roeburn (AUSH.4841) non spray-rinse model.



**Features include:**

- Handcrafted in the United Kingdom using DZR brass
- Separate bench-mounted insulated spray rinse tap with 1.2m flexible hose
- Single metal lever handle with engraved temperature indicators
- 1/4 turn German ceramic disc flow control
- Vernier insert for accurate handle alignment
- Supplied with dual check valve - Con-Serv DC 057
- 15 Year warranty. Please visit our website for individual finish warranties

**Spray Rinse Requirements :**

The spray rinse requires a minimum inlet water pressure of 100kPa, and a maximum of 500kPa to completely divert the water flow from the tap to the spray rinse.

Temperature range: Min 1°C. Max 70°C

Working Pressure: Min 1 Bar/15psi. Max 5 Bar/75psi

Packed Weight: 3.65kg

Flow Rates: 1 Bar: 5.3L/min

2 Bar: 9.3L/min

3 Bar: 11.2L/min

