



Range	Santos
Mount	Wall Hung
Size	750 Centre Bowl
SKU	SAN-VCO-750-C-X-W

TOP DETAILS

Available Tops	1. SilkSurface 20mm
Top Notes	125mm Radius Corners

NOTES

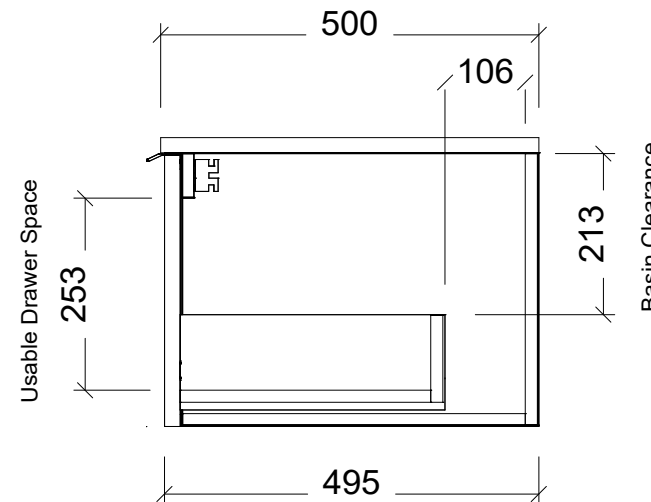
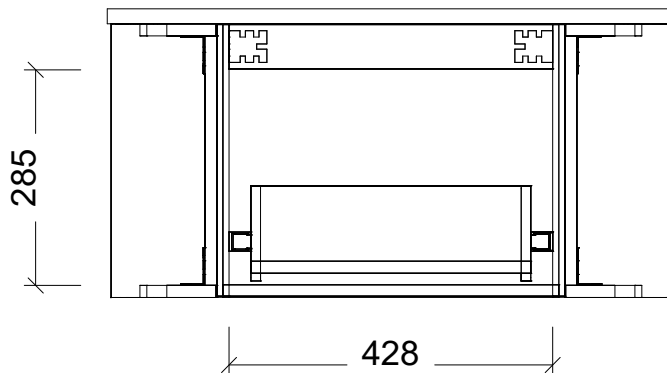
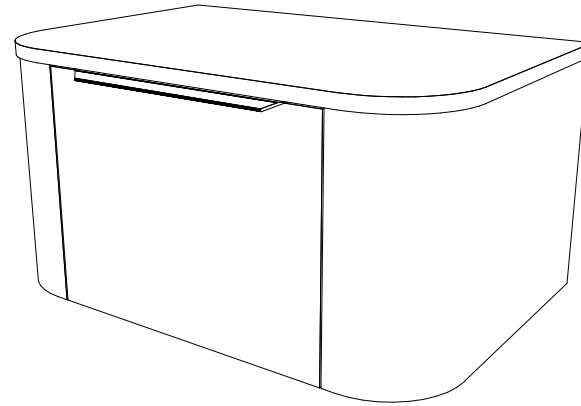
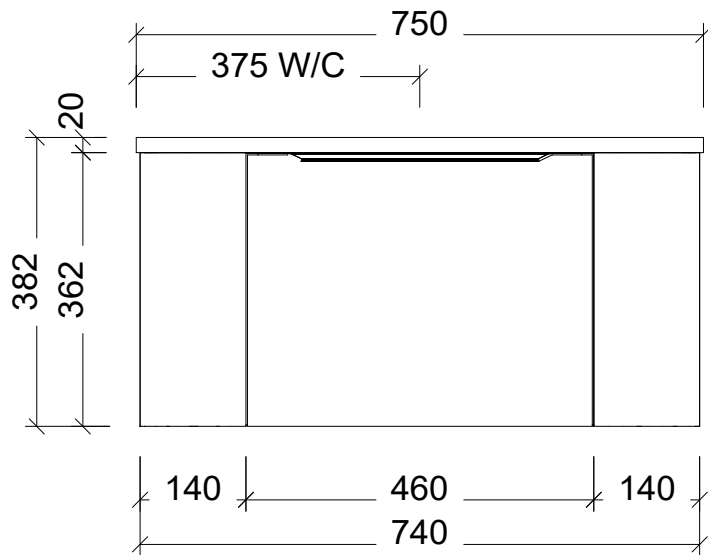
Revision	01
Date	31/08/23

DIMENSIONS SHOWN ARE IN MILLIMETERS, ARE NOMINAL ONLY AND SUBJECT TO CHANGE AT ANY TIME.
DO NOT SCALE DRAWINGS.
INSTALLER TO CONFIRM ALL DIMENSIONS ON-SITE PRIOR TO INSTALL.
SIZE VARIATION (+/- 3%) IS TO BE EXPECTED ON CERAMIC TOPS.
E&OE.

Copyright ©

Timberline

22 Myrtle Drive, Armidale NSW 2350
www.timberline.com.au
02 6773 8500





Range	Santos
Mount	Wall Hung
Size	900 Centre Bowl
SKU	SAN-VCO-900-C-X-W

TOP DETAILS

Available Tops	1. SilkSurface 20mm
Top Notes	125mm Radius Corners

NOTES

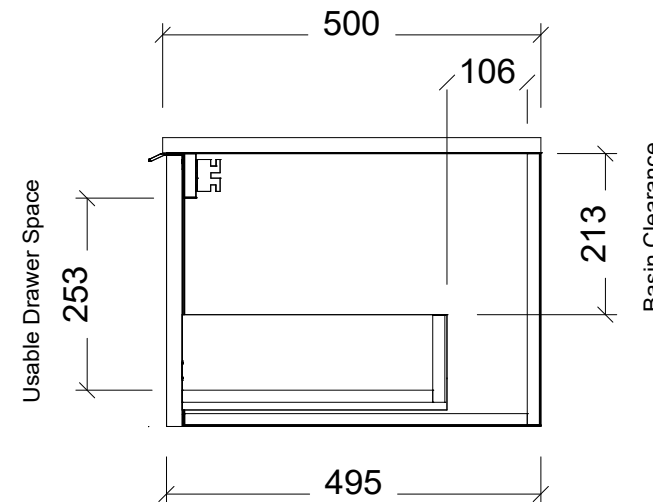
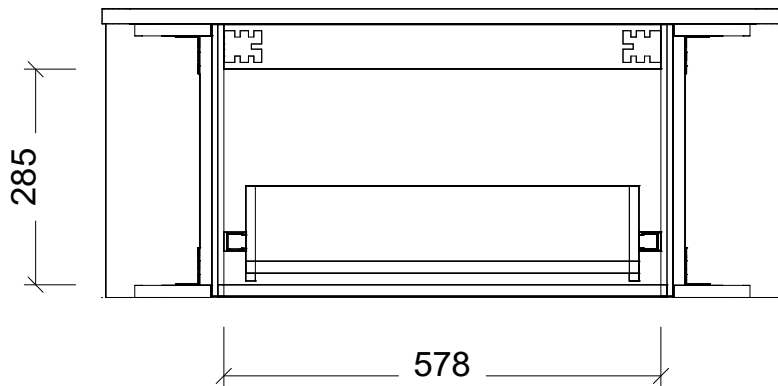
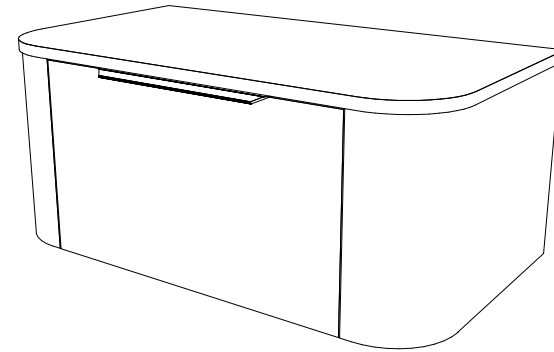
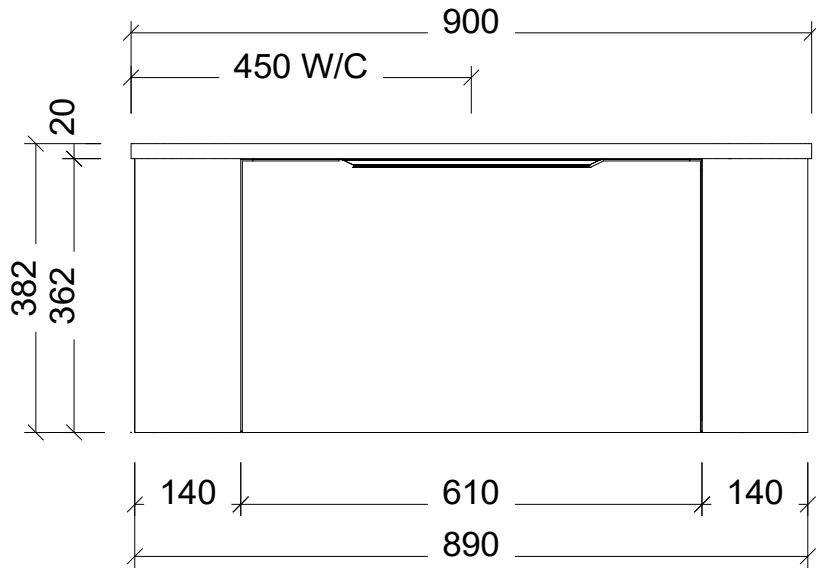
Revision	01
Date	31/08/23

DIMENSIONS SHOWN ARE IN MILLIMETERS, ARE NOMINAL ONLY AND SUBJECT TO CHANGE AT ANY TIME.
DO NOT SCALE DRAWINGS.
INSTALLER TO CONFIRM ALL DIMENSIONS ON-SITE PRIOR TO INSTALL.
SIZE VARIATION (+/- 3%) IS TO BE EXPECTED ON CERAMIC TOPS.
E&OE.

Copyright ©

Timberline

22 Myrtle Drive, Armidale NSW 2350
www.timberline.com.au
02 6773 8500





Range	Santos
Mount	Wall Hung
Size	1200 Centre Bowl
SKU	SAN-VCO-1200-C-X-W

TOP DETAILS

Available Tops	1. SilkSurface 20mm
Top Notes	125mm Radius Corners

NOTES

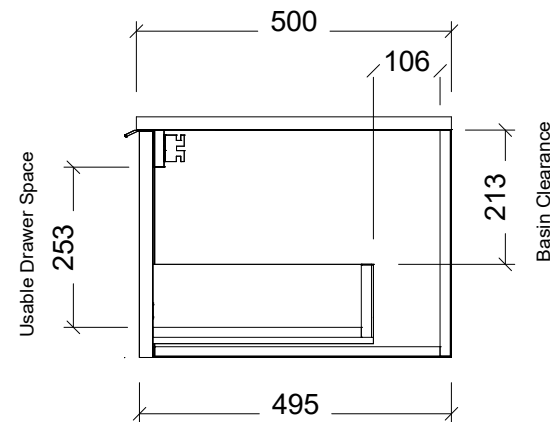
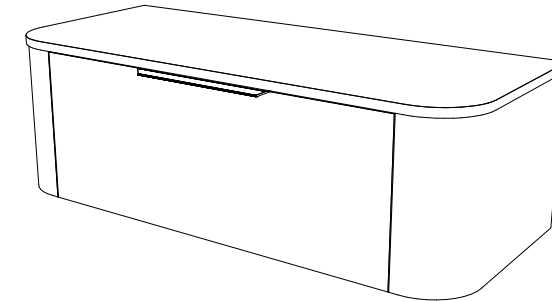
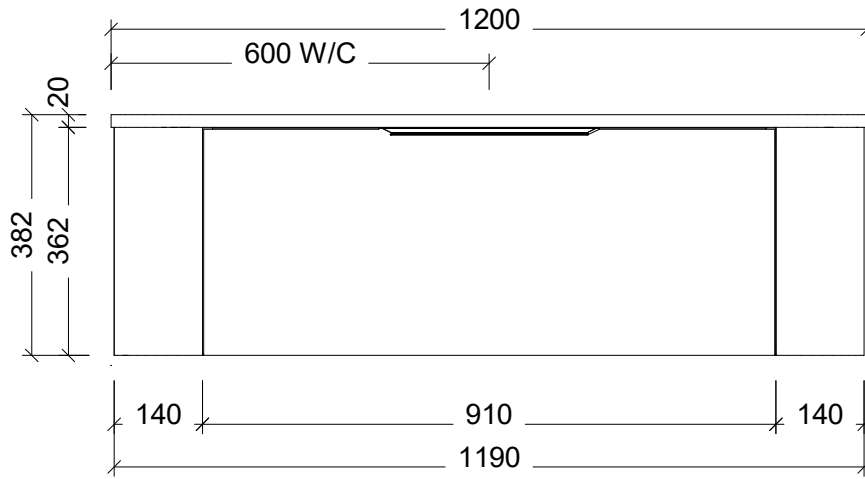
Revision	01
Date	31/08/23

DIMENSIONS SHOWN ARE IN MILLIMETERS, ARE NOMINAL ONLY AND SUBJECT TO CHANGE AT ANY TIME.
DO NOT SCALE DRAWINGS.
INSTALLER TO CONFIRM ALL DIMENSIONS ON-SITE PRIOR TO INSTALL.
SIZE VARIATION (+/- 3%) IS TO BE EXPECTED ON CERAMIC TOPS.
E&OE.

Copyright ©

Timberline

22 Myrtle Drive, Armidale NSW 2350
www.timberline.com.au
02 6773 8500





Range	Santos
Mount	Wall Hung
Size	1500 Centre Bowl
SKU	SAN-VCO-1500-C-X-W

TOP DETAILS

Available Tops	1. SilkSurface 20mm
Top Notes	125mm Radius Corners

NOTES

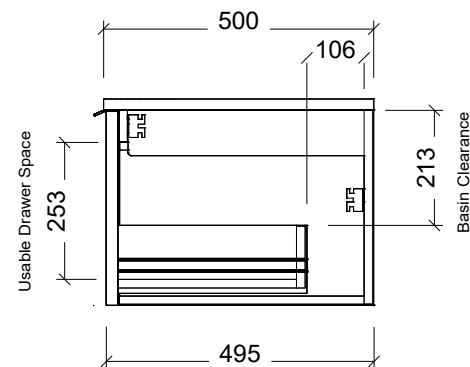
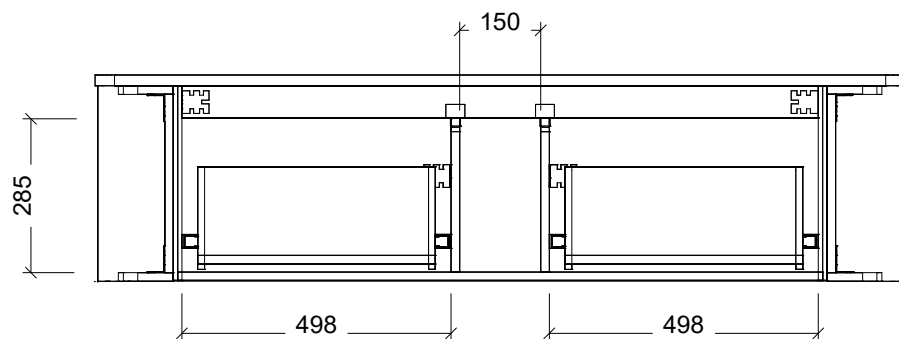
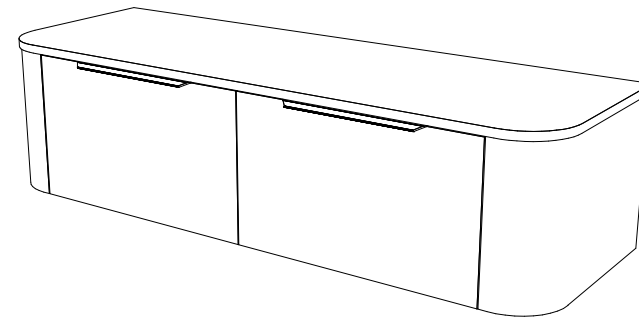
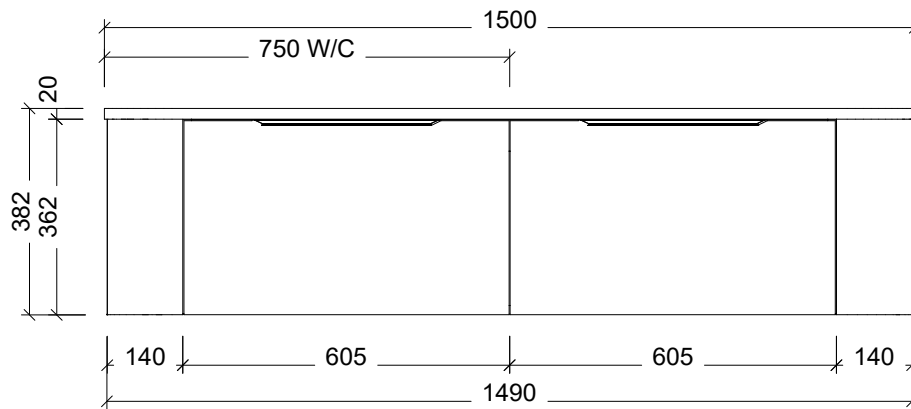
Revision	01
Date	31/08/23

DIMENSIONS SHOWN ARE IN MILLIMETERS, ARE NOMINAL ONLY AND SUBJECT TO CHANGE AT ANY TIME.
DO NOT SCALE DRAWINGS.
INSTALLER TO CONFIRM ALL DIMENSIONS ON-SITE PRIOR TO INSTALL.
SIZE VARIATION (+/- 3%) IS TO BE EXPECTED ON CERAMIC TOPS.
E&OE.

Copyright ©

Timberline

22 Myrtle Drive, Armidale NSW 2350
www.timberline.com.au
02 6773 8500





Range	Santos
Mount	Wall Hung
Size	1500 Double Bowl
SKU	SAN-VCO-1500-D-X-W

TOP DETAILS

Available Tops	1. SilkSurface 20mm
Top Notes	125mm Radius Corners

NOTES

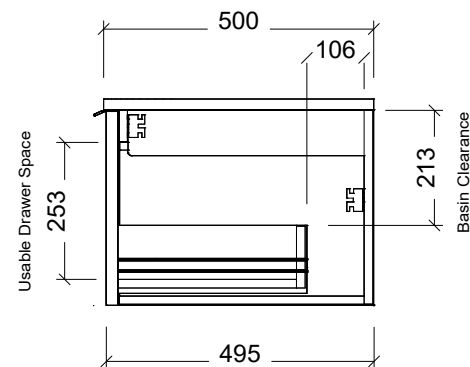
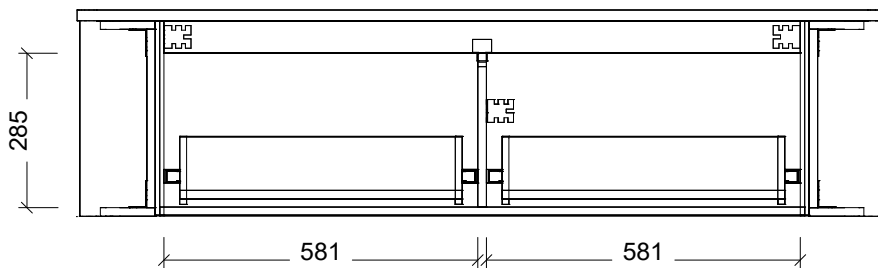
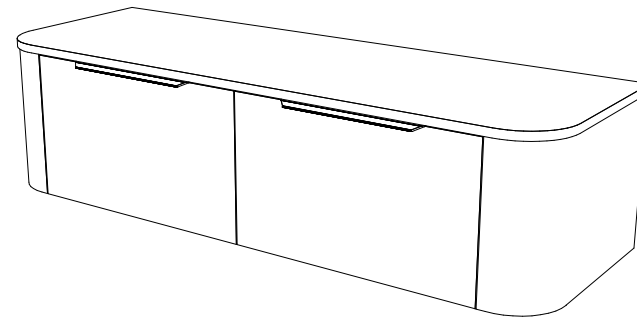
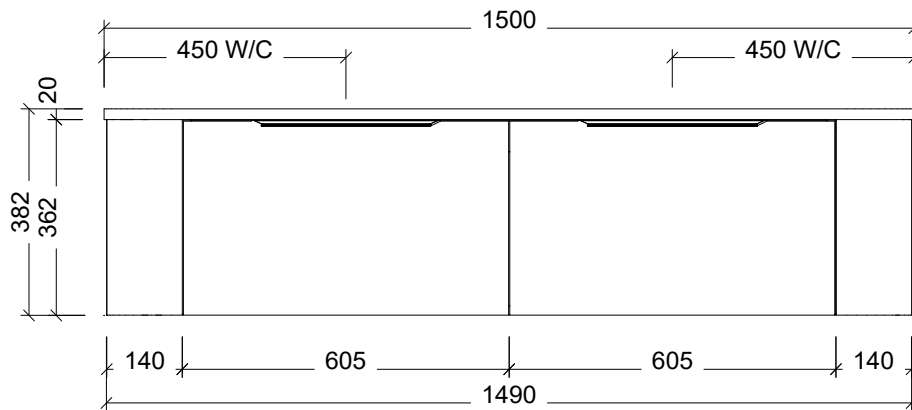
Revision	01
Date	31/08/23

DIMENSIONS SHOWN ARE IN MILLIMETERS, ARE NOMINAL ONLY AND SUBJECT TO CHANGE AT ANY TIME.
DO NOT SCALE DRAWINGS.
INSTALLER TO CONFIRM ALL DIMENSIONS ON-SITE PRIOR TO INSTALL.
SIZE VARIATION (+/- 3%) IS TO BE EXPECTED ON CERAMIC TOPS.
E&OE.

Copyright ©

Timberline

22 Myrtle Drive, Armidale NSW 2350
www.timberline.com.au
02 6773 8500





Range	Santos
Mount	Wall Hung
Size	1800 Centre Bowl
SKU	SAN-VCO-1800-C-X-W

TOP DETAILS

Available Tops	1. SilkSurface 20mm
Top Notes	125mm Radius Corners

NOTES

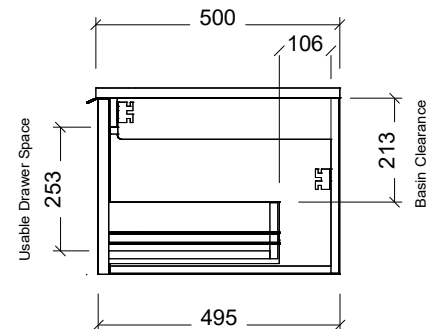
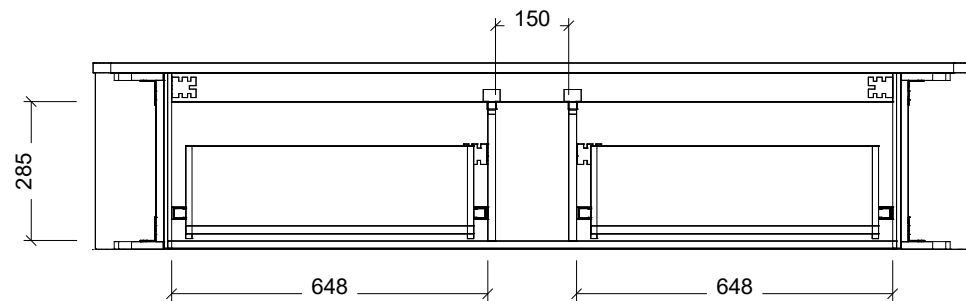
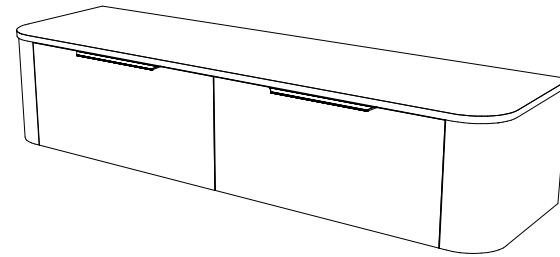
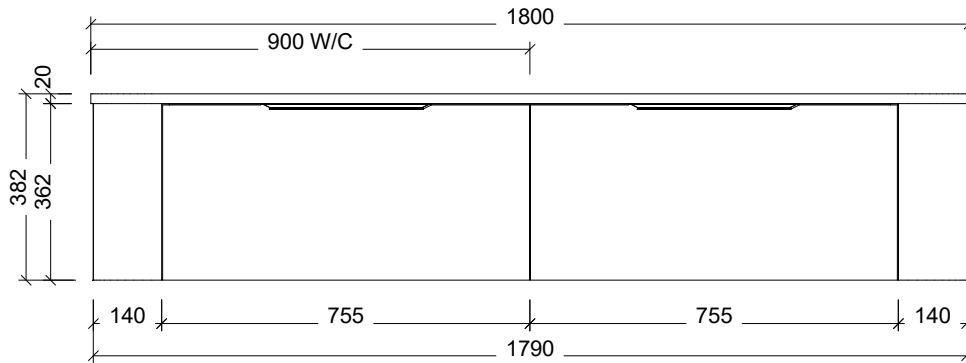
Revision	01
Date	31/08/23

DIMENSIONS SHOWN ARE IN MILLIMETERS, ARE NOMINAL ONLY AND SUBJECT TO CHANGE AT ANY TIME.
DO NOT SCALE DRAWINGS.
INSTALLER TO CONFIRM ALL DIMENSIONS ON-SITE PRIOR TO INSTALL.
SIZE VARIATION (+/- 3%) IS TO BE EXPECTED ON CERAMIC TOPS.
E&OE.

Copyright ©

Timberline

22 Myrtle Drive, Armidale NSW 2350
www.timberline.com.au
02 6773 8500





Range	Santos
Mount	Wall Hung
Size	1800 Double Bowl
SKU	SAN-VCO-1800-D-X-W

TOP DETAILS

Available Tops	1. SilkSurface 20mm
Top Notes	125mm Radius Corners

NOTES

Revision	01
Date	31/08/23

DIMENSIONS SHOWN ARE IN MILLIMETERS, ARE NOMINAL ONLY AND SUBJECT TO CHANGE AT ANY TIME.
DO NOT SCALE DRAWINGS.
INSTALLER TO CONFIRM ALL DIMENSIONS ON-SITE PRIOR TO INSTALL.
SIZE VARIATION (+/- 3%) IS TO BE EXPECTED ON CERAMIC TOPS.
E&OE.

Copyright ©

Timberline

22 Myrtle Drive, Armidale NSW 2350
www.timberline.com.au
02 6773 8500

