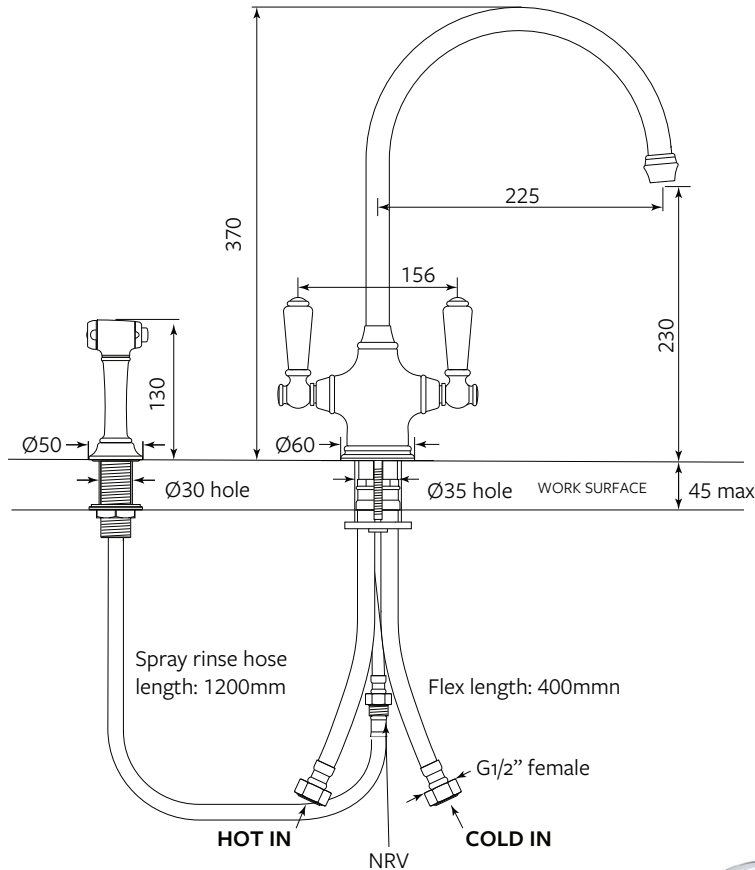


Ribble with Rinse

AUSH.4360



MODEL	CODE
Ribble with Rinse - Chrome	AUSH.4360CPWPC
Ribble with Rinse - Nickel	AUSH.4360NIWPC
Ribble with Rinse - Pewter	AUSH.4360PFWPC
Ribble with Rinse - English Bronze	AUSH.4360EBWPC
Ribble with Rinse - Satin Brass	AUSH.4360SBWPC
Ribble with Rinse - Polished Brass	AUSH.4360BRWPC
Ribble with Rinse - Gold (<i>special order</i>)	AUSH.4360IGWPC

Also Available: Ribble (AUSH.4460) non spray-rinse model.



Features include:

- Handcrafted in the United Kingdom using DZR brass
- Separate bench-mounted insulated spray rinse tap with 1.2m flexible hose
- White ceramic handles with Shaws insignia indices
- 1/4 turn German ceramic disc flow control
- Vernier insert for accurate handle alignment
- Supplied with dual check valve - Con-Serv DC 057
- 15 Year warranty. Please visit our website for individual finish warranties

Spray Rinse Requirements :

The spray rinse requires a minimum inlet water pressure of 100kPa, and a maximum of 500kPa to completely divert the water flow from the tap to the spray rinse.

Temperature range: Min 1°C. Max 70°C

Working Pressure: Min 0.5 Bar/7.5psi. Max 5 Bar/75psi

Packed Weight: 2.8kg

Flow Rates: 1 Bar: 12L/min

2 Bar: 18.8L/min

3 Bar: 20.4L/min



WaterMark

ASINZS 3718

WMKA02818

SAI Global

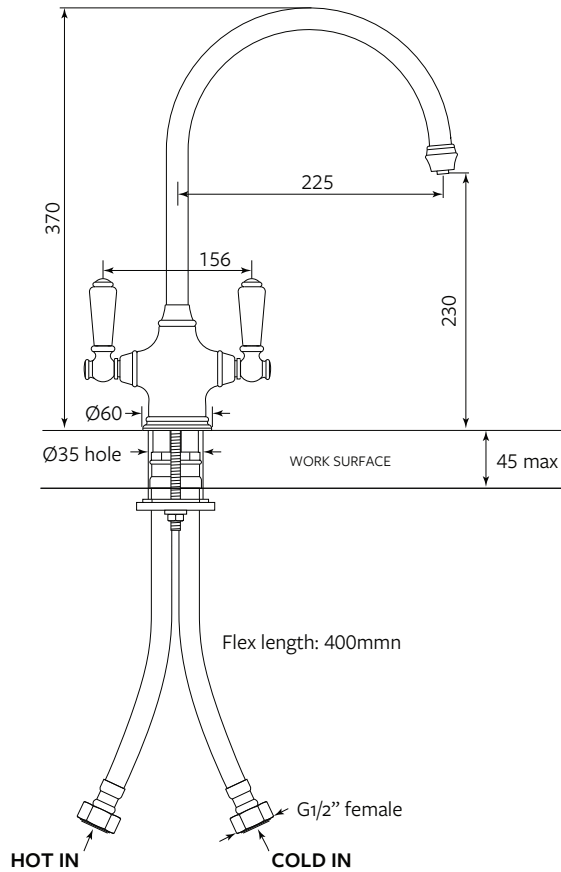
Perrin & Rowe

tapware



Ribble

AUSH.4460



MODEL	CODE
Ribble - Chrome	AUSH.4460CPWPC
Ribble - Nickel	AUSH.4460NIWPC
Ribble - Pewter	AUSH.4460PFWPC
Ribble - English Bronze	AUSH.4460EBWPC
Ribble - Satin Brass	AUSH.4460SBWPC
Ribble - Polished Brass	AUSH.4460BRWPC
Ribble - Gold	AUSH.4460IGWPC

Also Available: Ribble with Spray Rinse (AUSH.4360) Please note, spray rinse cannot be added to the standard mixer later.

Features include:

- Handcrafted in the United Kingdom using DZR brass
- White porcelain handles with Shaws insignia indices
- 1/4 turn German ceramic disc flow control
- Vernier insert for accurate handle alignment
- 15 Year warranty. Please visit our website for individual finish warranties

Temperature range: Min 1°C. Max 70°C

Working Pressure: Min 0.5 Bar/7.5psi. Max 5 Bar/75psi

Packed Weight: 2.8kg

Flow Rates: 1 Bar: 12L/min

2 Bar: 18.8L/min

3 Bar: 20.4L/min



WaterMark

ASINZS 3718
WMKA02818
SAT Global

Perrin & Rowe
tapware

