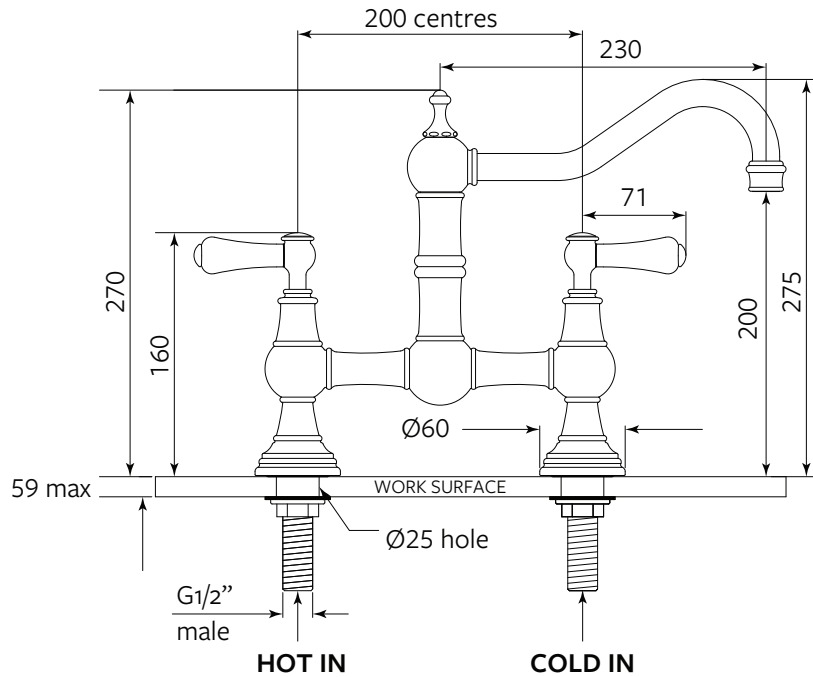


Hambleton

AUSH.4751



MODEL	CODE
Hambleton - Chrome	AUSH.4751CPWPC
Hambleton - Nickel	AUSH.4751NIWPC
Hambleton - Pewter	AUSH.4751PFWPC
Hambleton - English Bronze	AUSH.4751EBWPC
Hambleton - Satin Brass	AUSH.4751SBWPC
Hambleton - Polished Brass	AUSH.4751BRWPC
Hambleton - Gold	AUSH.4751IGWPC



Also Available: Hambleton with Spray Rinse (AUSH.4756) Please note, spray rinse cannot be added to the standard mixer later.

Features include:

- Handcrafted in the United Kingdom using DZR brass
- White porcelain handles with Shaws insignia indices
- 1/4 turn German ceramic disc flow control
- Vernier insert for accurate handle alignment
- 15 Year warranty. Please visit our website for individual finish warranties

Temperature range: Min 1°C. Max 70°C

Working Pressure: Min 1 Bar/15psi. Max 5 Bar/75psi

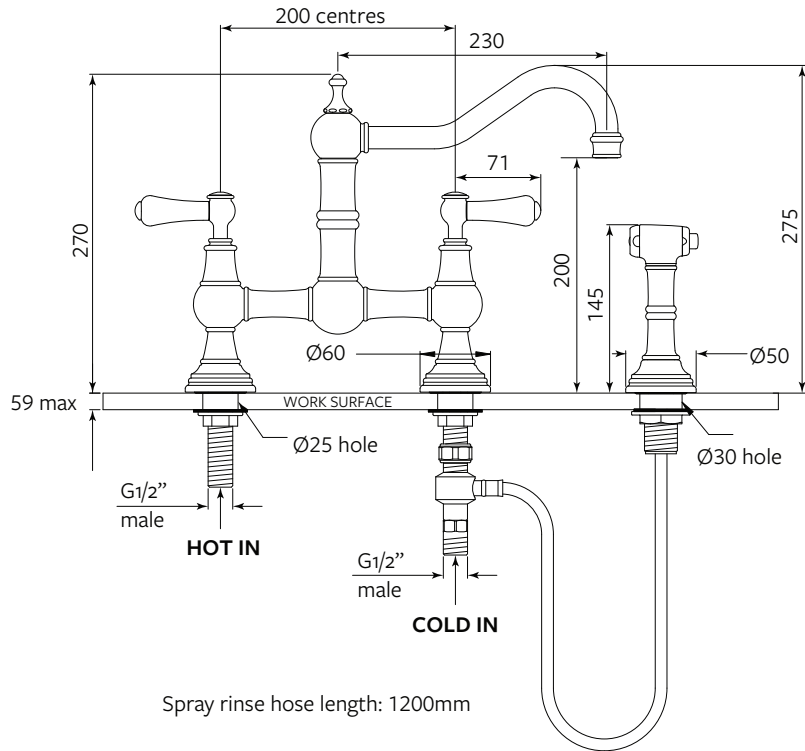
Packed Weight: 4.52kg

Flow Rates: 1 Bar: 8.2L/min
2 Bar: 11.4L/min
3 Bar: 14.2L/min



Hambleton with Rinse

AUSH.4756



MODEL	CODE
Hambleton with Rinse - Chrome	AUSH.4756CPWPC
Hambleton with Rinse - Nickel	AUSH.4756NIWPC
Hambleton with Rinse - Pewter	AUSH.4756PFWPC
Hambleton with Rinse - English Bronze	AUSH.4756EBWPC
Hambleton with Rinse - Satin Brass	AUSH.4756SBWPC
Hambleton with Rinse - Polished Brass	AUSH.4756BRWPC
Hambleton with Rinse - Gold	AUSH.4756IGWPC



Also Available: Hambleton (AUSH.4751) non spray-rinse model.

Features include:

- Handcrafted in the United Kingdom using DZR brass
- Separate bench-mounted insulated spray rinse tap with 1.2m flexible hose
- White porcelain handles with Shaws insignia indices
- 1/4 turn German ceramic disc flow control
- Vernier insert for accurate handle alignment
- Supplied with dual check valve - Con-Serv DC 057
- 15 Year warranty. Please visit our website for individual finish warranties

Spray Rinse Requirements :

The spray rinse requires a minimum inlet water pressure of 100kPa, and a maximum of 500kPa to completely divert the water flow from the tap to the spray rinse.

Temperature range: Min 1°C. Max 70°C

Working Pressure: Min 1 Bar/15psi. Max 5 Bar/75psi

Packed Weight: 5.88kg

Flow Rates: 1 Bar: 6.2L/min

2 Bar: 9.9L/min

3 Bar: 12.7L/min



WaterMark

ASINZS 3718

WMKA02818

SAI Global

Perrin & Rowe

tapware

