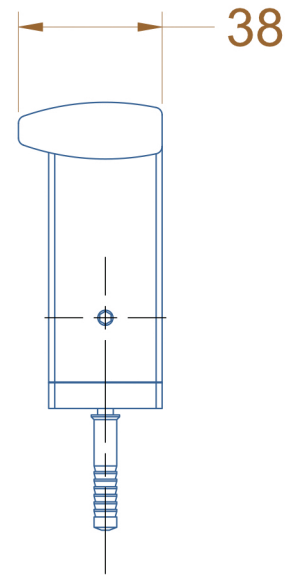
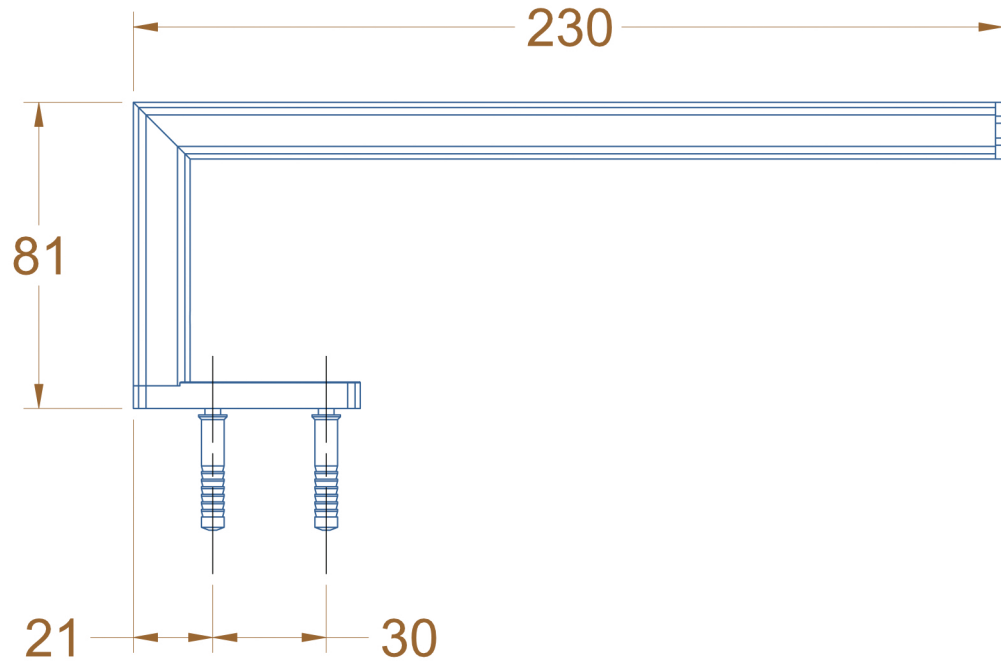


# REVISION TABLE

LETTER	DATE
A	04-Dec-14



# REVISION TABLE

LETTER

DATE

A

04-Dec-14

