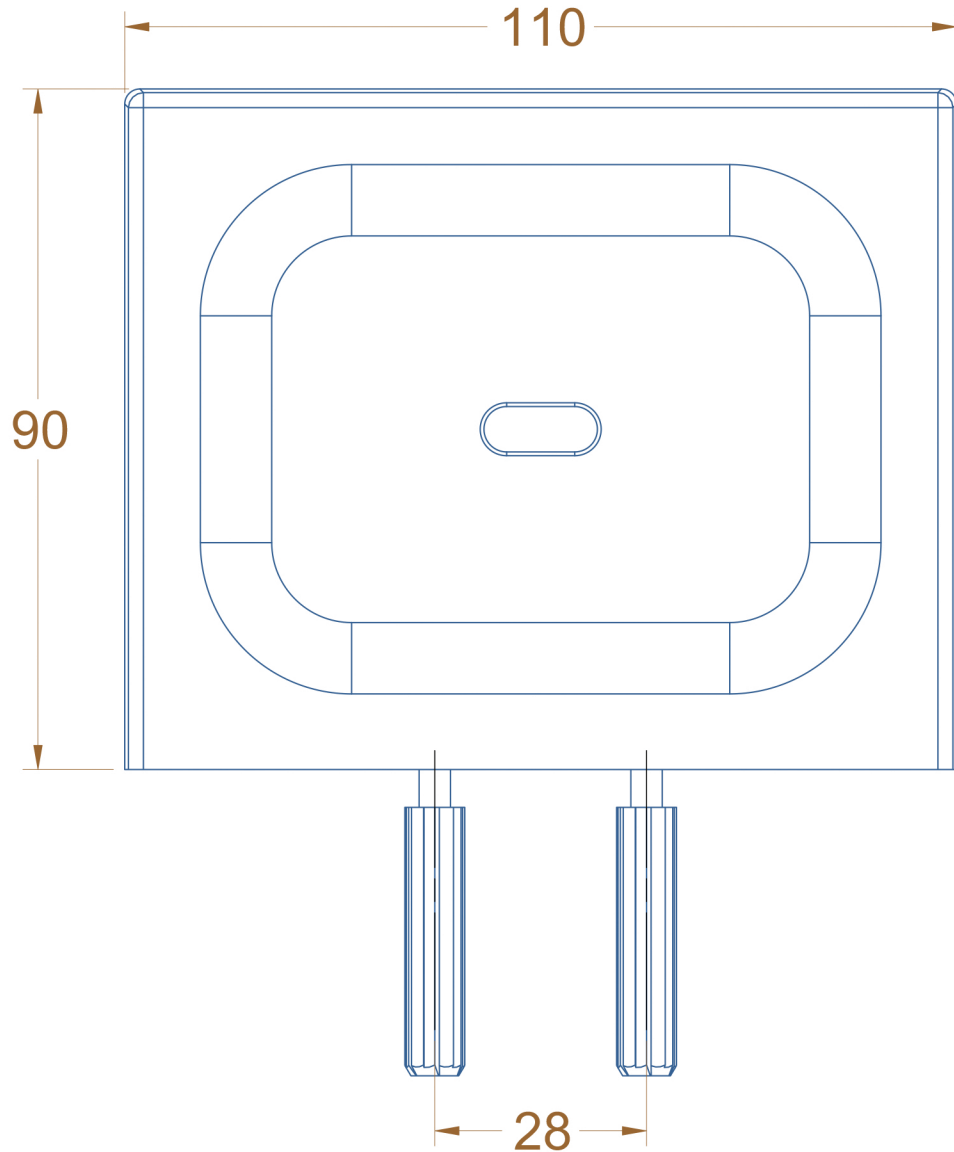
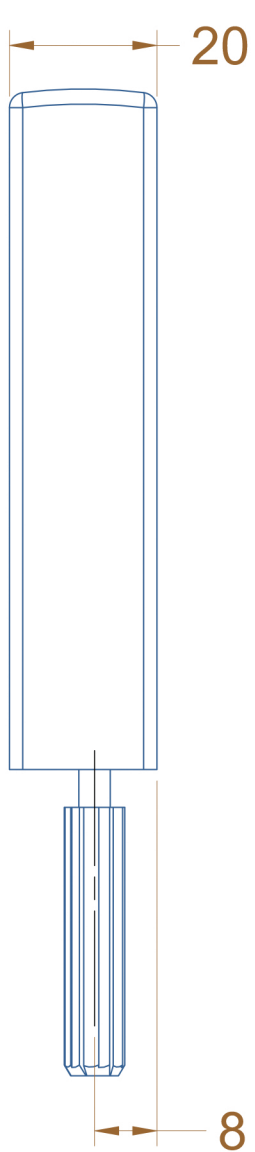


REVISION TABLE

LETTER	DATE
A	08-Dec-15



XYSD - XYLO Soap Dish