

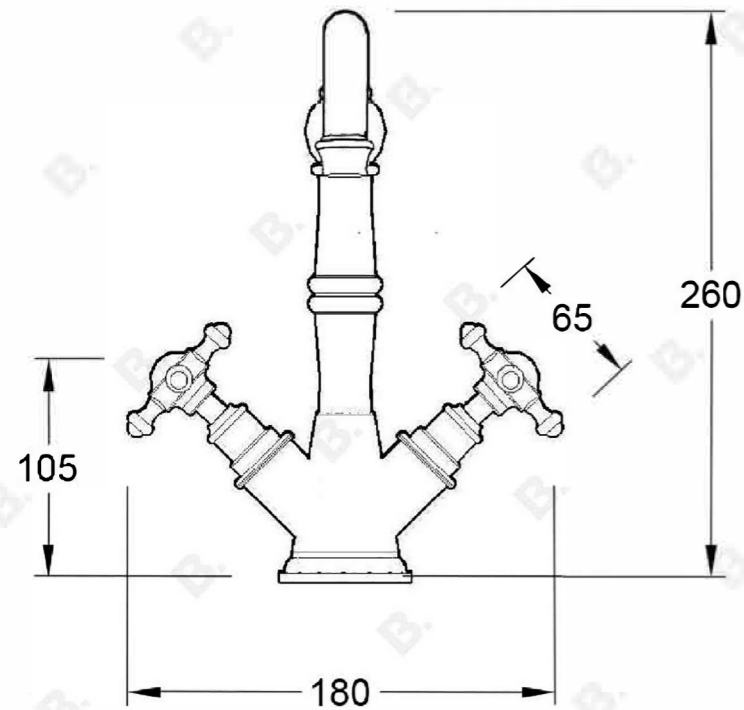
WINSLOW KITCHEN MIXER WITH CROSS HANDLES - JUMPER VALVE

1.8130.02.1.XX

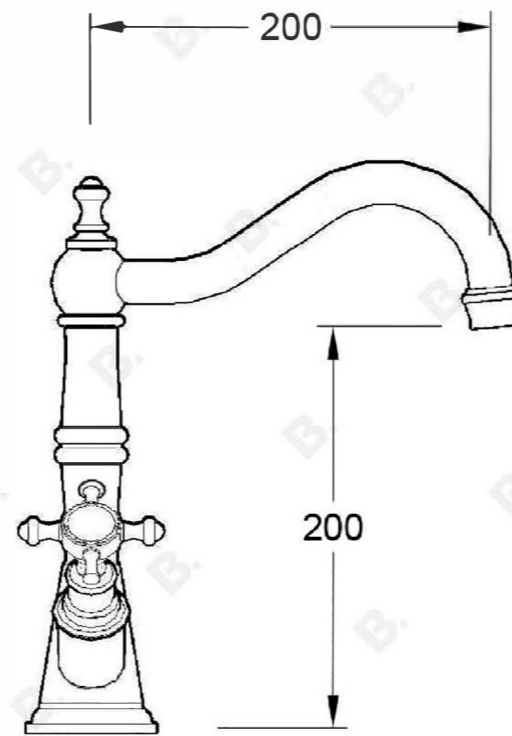


PRODUCT DIMENSIONS:

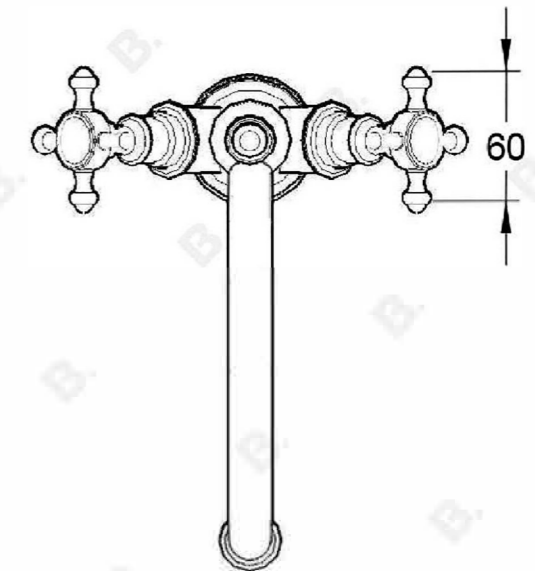
Front view:



Side view:



Top view:



Note: Mixer requires a Ø35mm hole in the bench or basin