

(A) Fixed centre; outlets must have 165mm centres

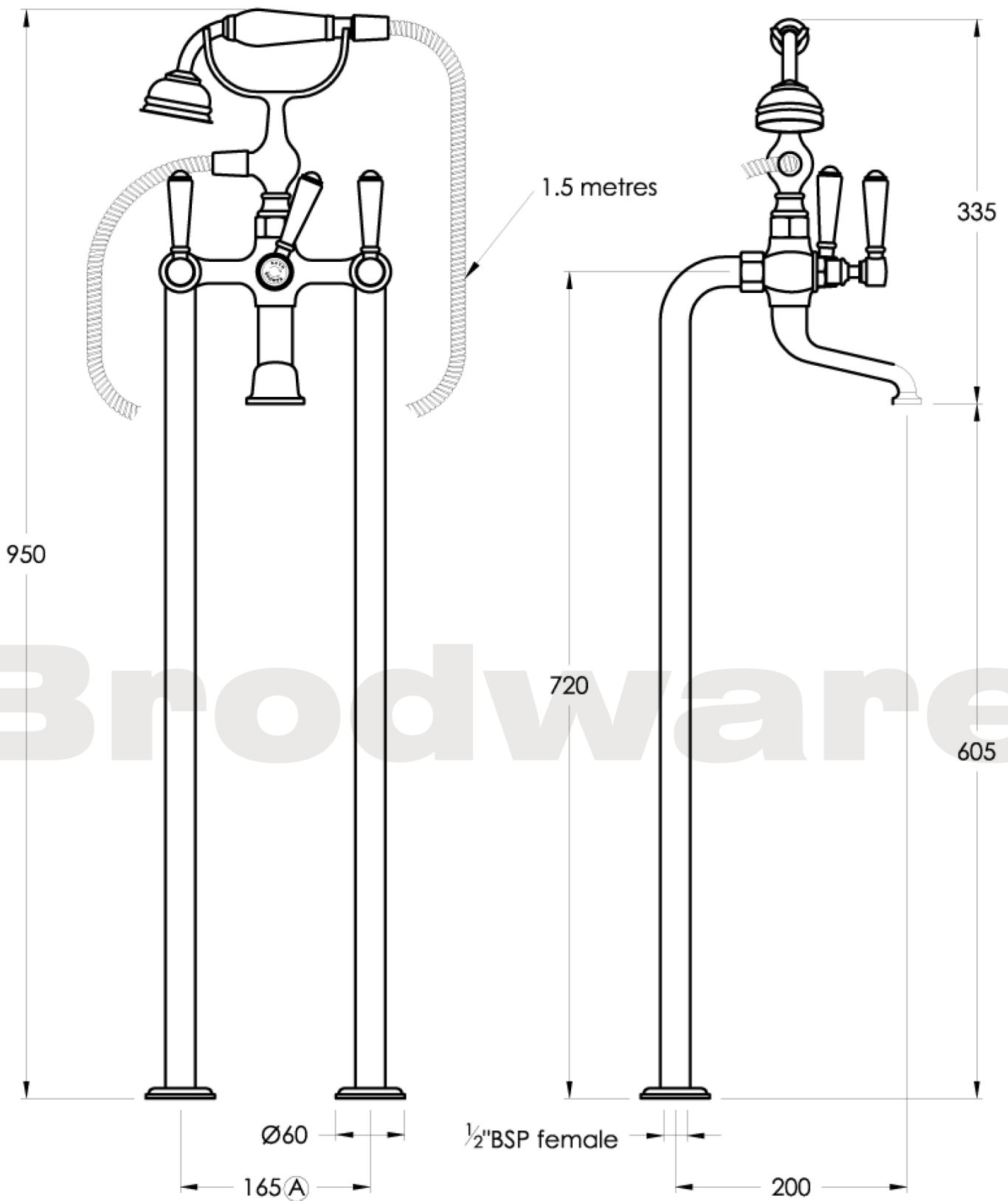
*Just*  
BATHROOMWARE

**WINSLOW**

**B81.22**

Manufacturing engineers of quality commercial and residential fittings  
 Dimensions subjects to change without notice. All dimensions are approximate  
 Copyright © Brodware Industries 2013. www.brodware.com.au

**Brodware**<sup>TM</sup>



Note: G 1/2" BSP male thread required in the floor  
 (A) Fixed Centre; taps must have 165 mm centres

*Just*  
 BATHROOMWARE

## WINSLOW

1.8122.00.4.XX

XX Indicates finish  
 Manufacturing engineers of quality commercial and residential fittings  
 Dimensions subjects to change without notice. All dimensions are approximate  
 Copyright © Brodware Industries 2013. www.brodware.com.au

**Brodware**™