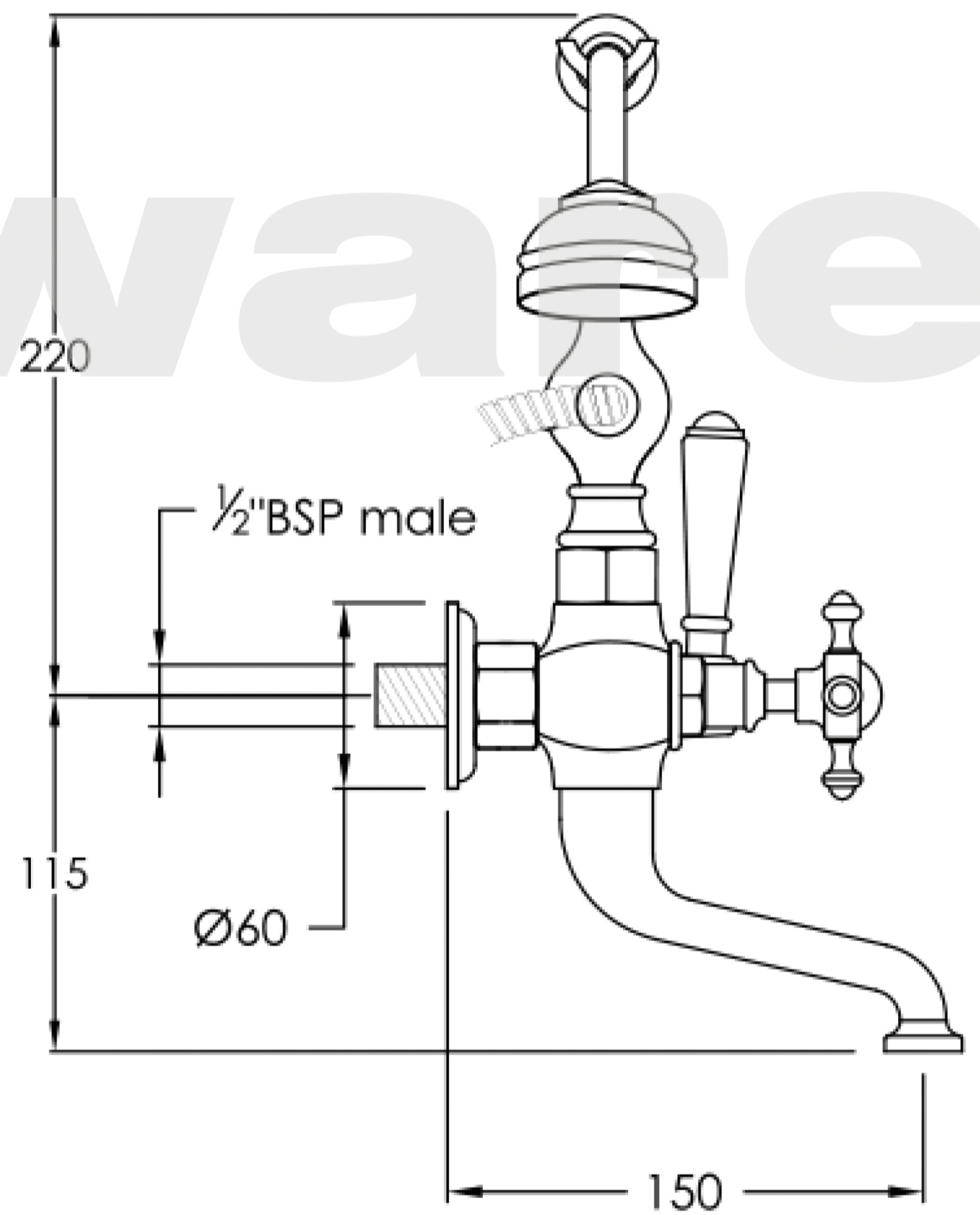


1.5 metres

165(A)

Brodware



220

1/2" BSP male

115

Ø60

150

Note: G1/2" BSP female fittings required in the wall  
 (A) Fixed centre; outlets must have 165mm centres

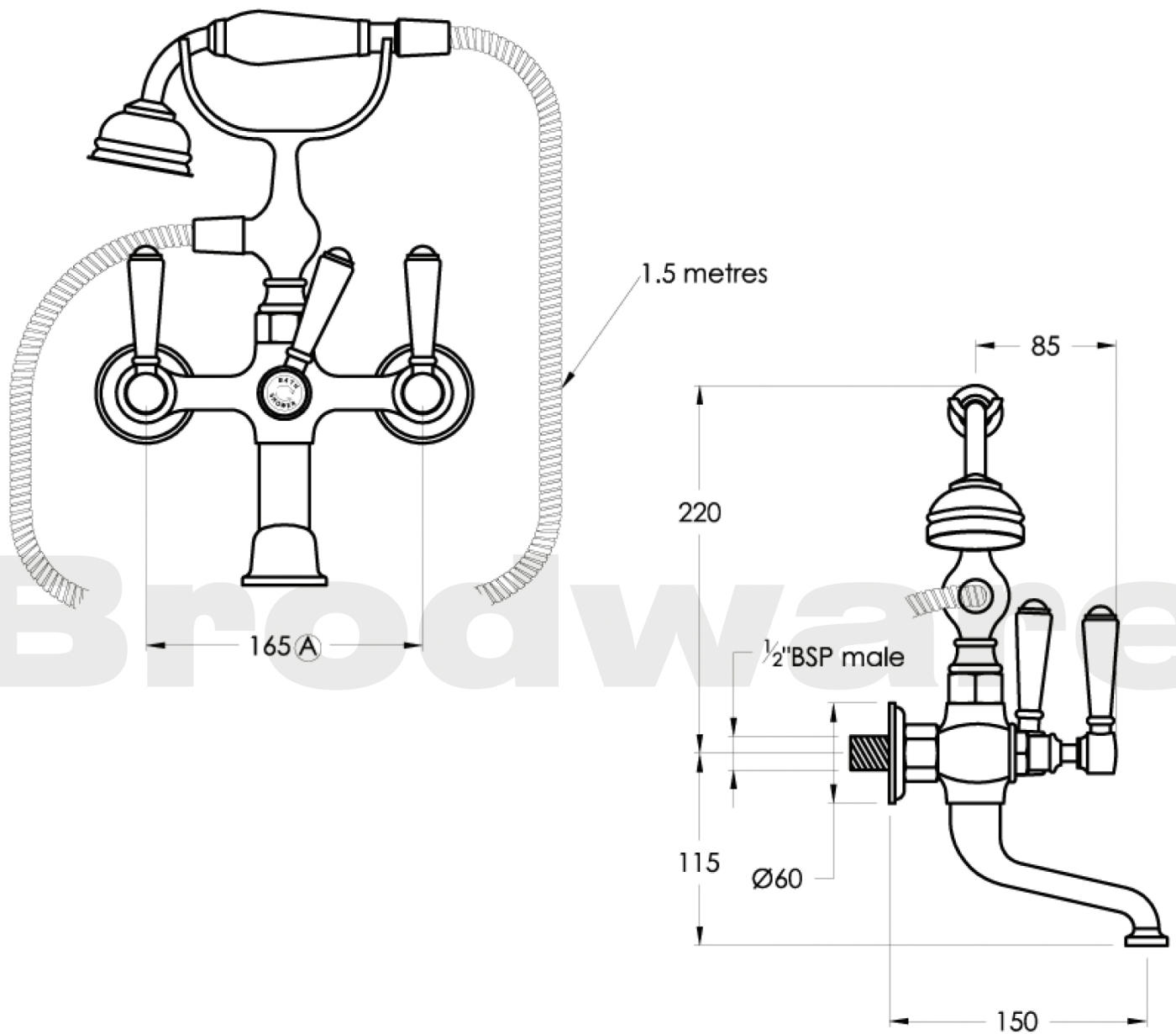
*Just*  
BATHROOMWARE

**WINSLOW**

**1.8120.00.1.XX**

XX Indicates finish  
 Manufacturing engineers of quality commercial and residential fittings  
 Dimensions subjects to change without notice. All dimensions are approximate  
 Copyright © Brodware Pty Ltd 2016. www.brodware.com

**Brodware**



Note: G $\frac{1}{2}$ " BSP female fittings required in the wall  
 (A) Fixed centre; outlets must have 165mm centres

*Just*  
 BATHROOMWARE

## WINSLOW

1.8120.00.4.XX

XX Indicates finish  
 Manufacturing engineers of quality commercial and residential fittings  
 Dimensions subjects to change without notice. All dimensions are approximate  
 Copyright © Brodware Industries 2013. www.brodware.com.au

**Brodware**<sup>TM</sup>