

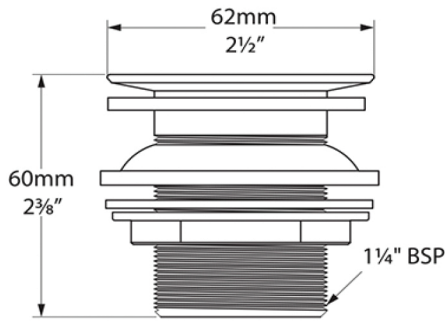
# K19 / K20 / K21

K19-\*\*

K20-\*\*

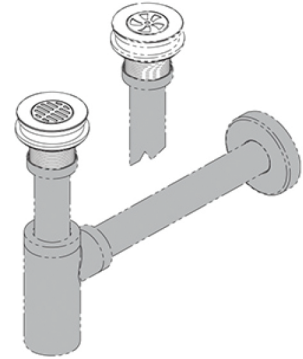
K21-\*\*

Kit 19

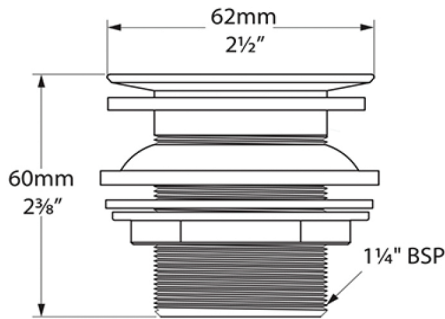


Recommended with K22 (Shown)

Kit 19

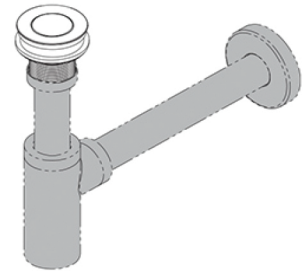


Kit 20

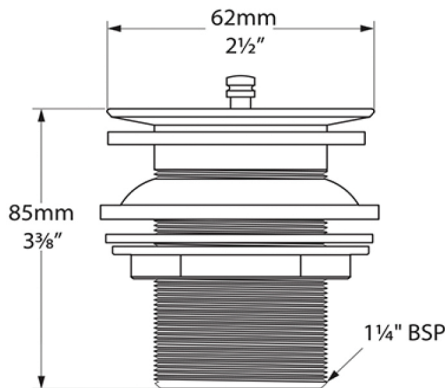


Recommended with K22 (Shown)

Kit 20

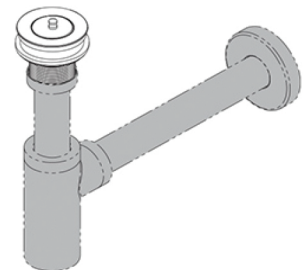


Kit 21



Recommended with K22 (Shown)

Kit 21



\*All measurements subject to +/-5% tolerance