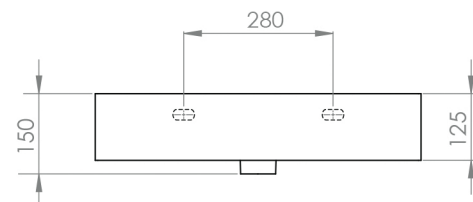
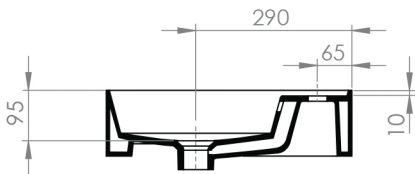
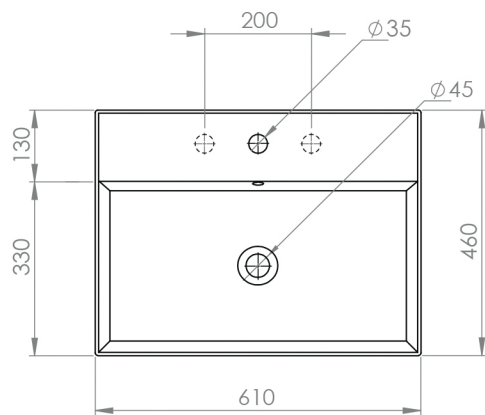


Twenty 60 Full Bowl Bench Basin

Product Code: TC20600 (NTH), TC20601 (1TH), TC20603 (3TH)

The Twenty collection of luxury basins embody sleek and precise styling. Crisp planes, thin walls and a perimeter that elegantly frames the basin tops, combine to present feature pieces that are distinctive while not being bulky. Four configurations are available; full bowl, centre bowl with side shelves, right or left hand bowl with side shelf.



Specifications

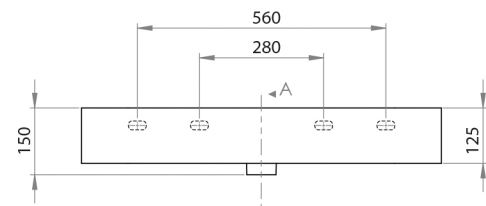
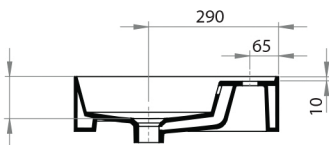
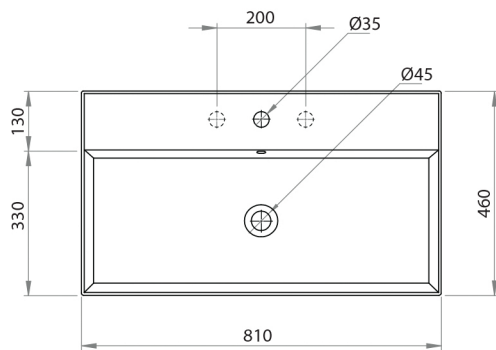
- Colour / Finish** — White / Gloss
- Material** — Vitreous China
- Bowl Capacity** — 7L to Overflow
- Tap Holes** — 0, 1 or 3
- Overflow** — Integral
- Waste Outlet** — 32mm Overflow Plug & Waste to be ordered separately (TA3240 or TA4032)
- W x D x H** — 610 x 460 x 125mm
- Installation** — This basin is not glazed at the rear, therefore, it is recommended that it be installed directly against the wall behind.
- Warranty** — 10 years

Installation Note: It is recommended that the basin be installed using a flexible sealant. Epoxy type glues must not be used. To do so may void product warranty.

Twenty 80 Full Bowl Bench Basin

Product Code: TC20800 (NTH), TC20801 (1TH), TC20803 (3TH)

The Twenty collection of luxury basins embody sleek and precise styling. Crisp planes, thin walls and a perimeter that elegantly frames the basin tops, combine to present feature pieces that are distinctive while not being bulky. Four configurations are available; full bowl, centre bowl with side shelves, right or left hand bowl with side shelf.



Specifications

- Colour / Finish** — White / Gloss
- Material** — Vitreous China
- Bowl Capacity** — 8L to Overflow
- Tap Holes** — 0, 1 or 3
- Overflow** — Integral
- Waste Outlet** — 32mm Overflow Plug & Waste to be ordered separately (TA3240 or TA4032)
- W x D x H** — 810 x 460 x 125mm
- Installation** — This basin is not glazed at the rear, therefore, it is recommended that it be installed directly against the wall behind.
- Warranty** — 10 years

Installation Note: It is recommended that the basin be installed using a flexible sealant. Epoxy type glues must not be used. To do so may void product warranty.