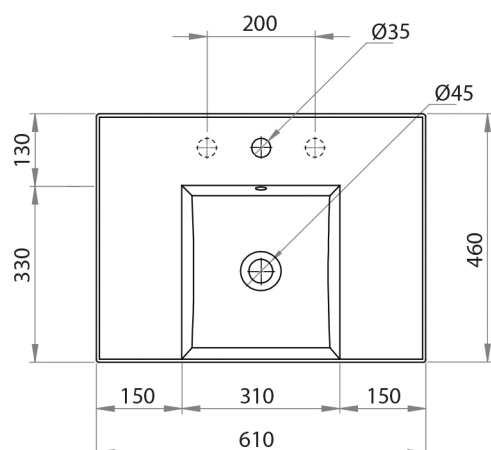


Twenty 60 Centre Bowl Bench Basin

Product Code: TC20610 (NTH), TC20611 (1TH), TC20613 (3TH)

The Twenty collection of luxury basins embody sleek and precise styling. Crisp planes, thin walls and a perimeter that elegantly frames the basin tops, combine to present feature pieces that are distinctive while not being bulky. Four configurations are available; full bowl, centre bowl with side shelves, right or left hand bowl with side shelf.



Specifications

Colour / Finish	—	White / Gloss
Material	—	Vitreous China
Bowl Capacity	—	3.5L to Overflow
Tap Holes	—	0, 1 or 3
Overflow	—	Integral
Waste Outlet	—	32mm Overflow Plug & Waste to be ordered separately (TA3240 or TA4032)
W x D x H	—	610 x 460 x 125mm
Installation	—	This basin is not glazed at the rear, therefore, it is recommended that it be installed directly against the wall behind.
Warranty	—	10 years

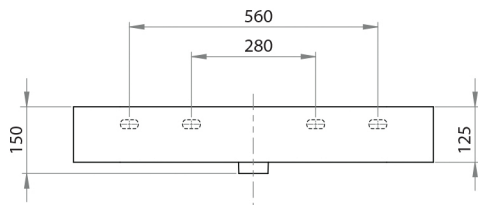
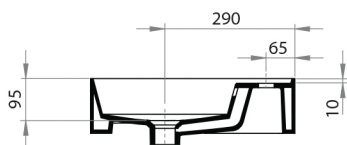
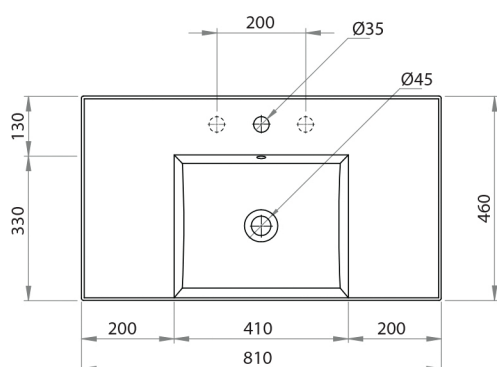
Installation Note: It is recommended that the basin be installed using a flexible sealant. Epoxy type glues must not be used. To do so may void product warranty.



Twenty 80 Centre Bowl Bench Basin

Product Code: TC20810 (NTH), TC20811 (1TH), TC20813 (3TH)

The Twenty collection of luxury basins embody sleek and precise styling. Crisp planes, thin walls and a perimeter that elegantly frames the basin tops, combine to present feature pieces that are distinctive while not being bulky. Four configurations are available; full bowl, centre bowl with side shelves, right or left hand bowl with side shelf.



Specifications

- Colour / Finish** — White / Gloss
- Material** — Vitreous China
- Bowl Capacity** — 4.5L to Overflow
- Tap Holes** — 0, 1 or 3
- Overflow** — Integral
- Waste Outlet** — 32mm Overflow Plug & Waste to be ordered separately (TA3240 or TA4032)
- W x D x H** — 810 x 460 x 125mm
- Installation** — This basin is not glazed at the rear, therefore, it is recommended that it be installed directly against the wall behind.
- Warranty** — 10 years

Installation Note: It is recommended that the basin be installed using a flexible sealant. Epoxy type glues must not be used. To do so may void product warranty.