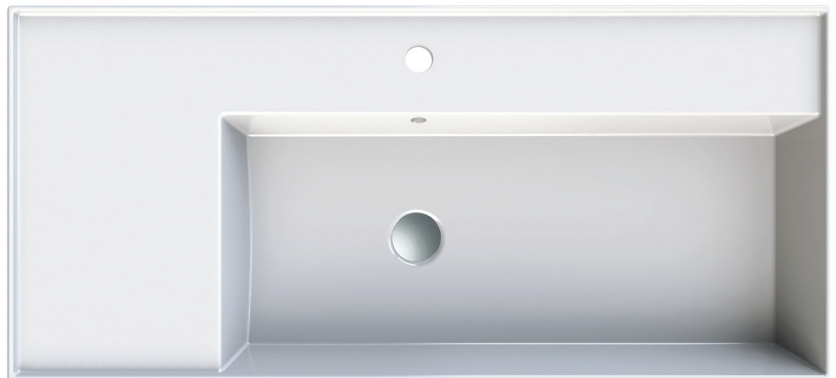
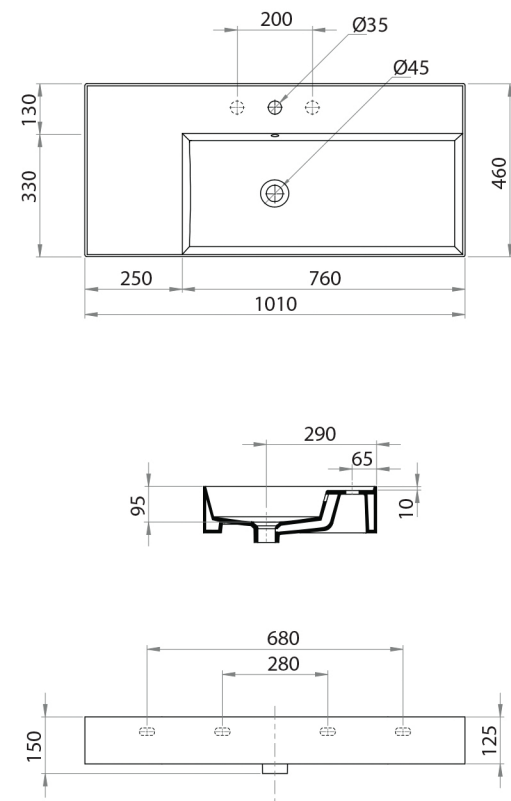




Twenty 100 Right Bowl Bench Basin

Product Code: TC201020 (NTH), TC201021 (1TH), TC201023 (3TH)

The Twenty collection of luxury basins embody sleek and precise styling. Crisp planes, thin walls and a perimeter that elegantly frames the basin tops, combine to present feature pieces that are distinctive while not being bulky. Four configurations are available; full bowl, centre bowl with side shelves, right or left hand bowl with side shelf.



Specifications

| | | |
|------------------------|---|---|
| Colour / Finish | — | White / Gloss |
| Material | — | Vitreous China |
| Bowl Capacity | — | 9L to Overflow |
| Tap Holes | — | 0, 1 or 3 |
| Overflow | — | Integral |
| Waste Outlet | — | 32mm Overflow Plug & Waste to be ordered separately (TA3240 or TA4032) |
| W x D x H | — | 1010 x 460 x 125mm |
| Installation | — | This basin is not glazed at the rear, therefore, it is recommended that it be installed directly against the wall behind. |
| Warranty | — | 10 years |

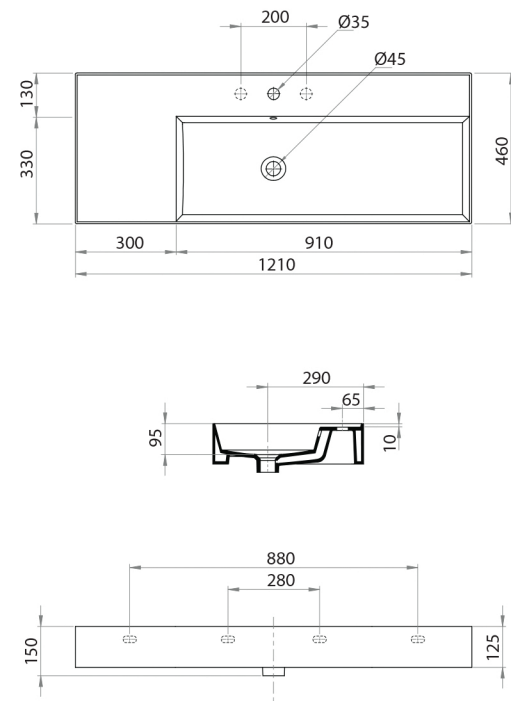
Installation Note: It is recommended that the basin be installed using a flexible sealant. Epoxy type glues must not be used. To do so may void product warranty.



Twenty 120 Right Bowl Bench Basin

Product Code: TC201220 (NTH), TC201221 (1TH), TC201223 (3TH)

The Twenty collection of luxury basins embody sleek and precise styling. Crisp planes, thin walls and a perimeter that elegantly frames the basin tops, combine to present feature pieces that are distinctive while not being bulky. Five configurations are available; full bowl, centre bowl with side shelves, right or left hand bowl with side shelf and double bowl with centre shelf.



Specifications

| | |
|------------------------|---|
| Colour / Finish | — White / Gloss |
| Material | — Vitreous China |
| Bowl Capacity | — 10L to Overflow |
| Tap Holes | — 0, 1 or 3 |
| Overflow | — Integral |
| Waste Outlet | — 32mm Overflow Plug & Waste to be ordered separately (TA3240 or TA4032) |
| W x D x H | — 1210 x 460 x 125mm |
| Installation | — This basin is not glazed at the rear, therefore, it is recommended that it be installed directly against the wall behind. |
| Warranty | — 10 years |

Installation Note: It is recommended that the basin be installed using a flexible sealant. Epoxy type glues must not be used. To do so may void product warranty.

ceramica tecla

