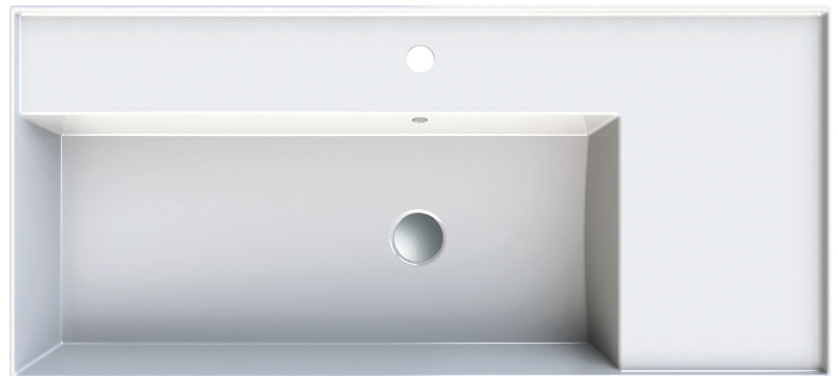
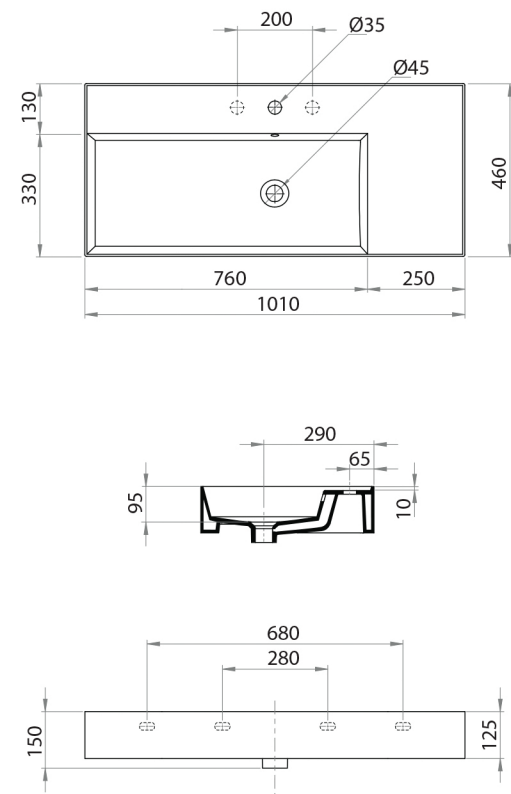


## Twenty 100 Left Bowl Bench Basin

**Product Code: TC201030 (NTH), TC201031 (1TH), TC201033 (3TH)**

The Twenty collection of luxury basins embody sleek and precise styling. Crisp planes, thin walls and a perimeter that elegantly frames the basin tops, combine to present feature pieces that are distinctive while not being bulky. Four configurations are available; full bowl, centre bowl with side shelves, right or left hand bowl with side shelf.



### Specifications

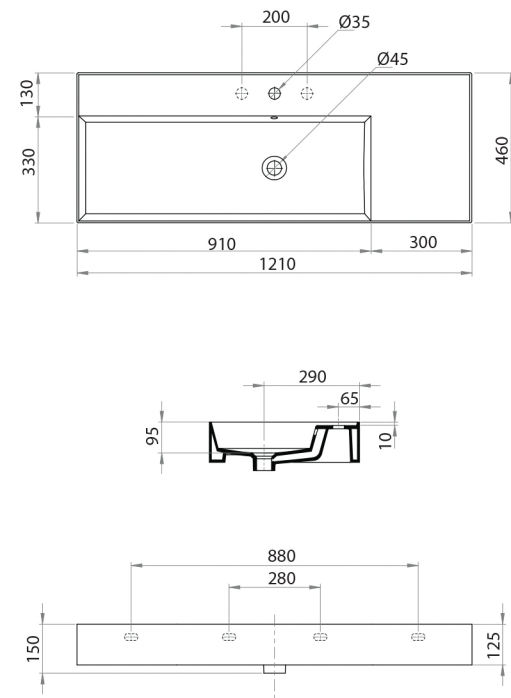
<b>Colour / Finish</b>	—	White / Gloss
<b>Material</b>	—	Vitreous China
<b>Bowl Capacity</b>	—	9L to Overflow
<b>Tap Holes</b>	—	0, 1 or 3
<b>Overflow</b>	—	Integral
<b>Waste Outlet</b>	—	32mm Overflow Plug & Waste to be ordered separately (TA3240 or TA4032)
<b>W x D x H</b>	—	1010 x 460 x 125mm
<b>Installation</b>	—	This basin is not glazed at the rear, therefore, it is recommended that it be installed directly against the wall behind.
<b>Warranty</b>	—	10 years

**Installation Note:** It is recommended that the basin be installed using a flexible sealant. Epoxy type glues must not be used. To do so may void product warranty.

## Twenty 120 Left Bowl Bench Basin

**Product Code: TC201230 (NTH), TC201231 (1TH), TC201233 (3TH)**

The Twenty collection of luxury basins embody sleek and precise styling. Crisp planes, thin walls and a perimeter that elegantly frames the basin tops, combine to present feature pieces that are distinctive while not being bulky. Five configurations are available; full bowl, centre bowl with side shelves, right or left hand bowl with side shelf and double bowl with centre shelf.



### Specifications

<b>Colour / Finish</b>	—	White / Gloss
<b>Material</b>	—	Vitreous China
<b>Bowl Capacity</b>	—	10L to Overflow
<b>Tap Holes</b>	—	0, 1 or 3
<b>Overflow</b>	—	Integral
<b>Waste Outlet</b>	—	32mm Overflow Plug & Waste to be ordered separately (TA3240 or TA4032)
<b>W x D x H</b>	—	1210 x 460 x 125mm
<b>Installation</b>	—	This basin is not glazed at the rear, therefore, it is recommended that it be installed directly against the wall behind.
<b>Warranty</b>	—	10 years

**Installation Note:** It is recommended that the basin be installed using a flexible sealant. Epoxy type glues must not be used. To do so may void product warranty.

ceramica tecla

