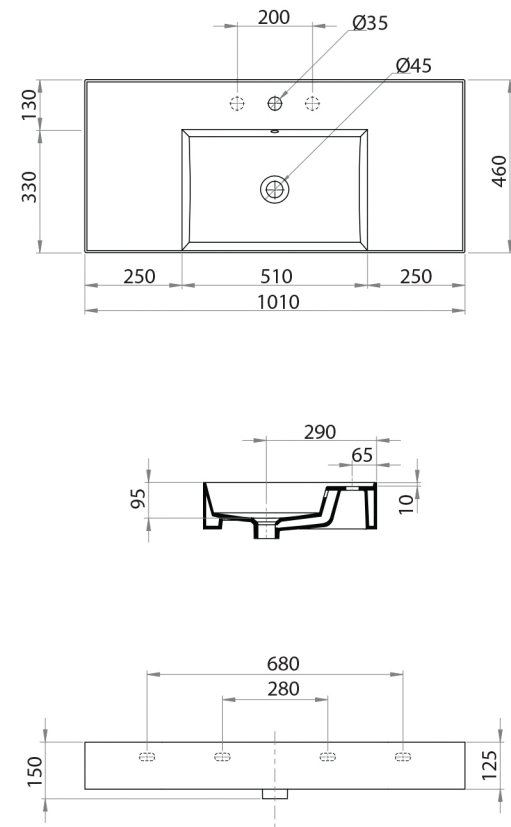




Twenty 100 Centre Bowl Bench Basin

Product Code: TC201010 (NTH), TC201011 (1TH), TC201013 (3TH)

The Twenty collection of luxury basins embody sleek and precise styling. Crisp planes, thin walls and a perimeter that elegantly frames the basin tops, combine to present feature pieces that are distinctive while not being bulky. Four configurations are available; full bowl, centre bowl with side shelves, right or left hand bowl with side shelf.



Specifications

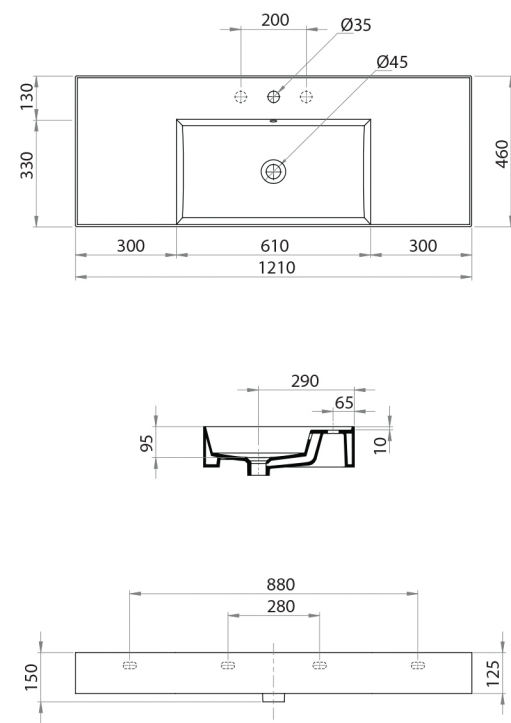
Colour / Finish	—	White / Gloss
Material	—	Vitreous China
Bowl Capacity	—	6L to Overflow
Tap Holes	—	0, 1 or 3
Overflow	—	Integral
Waste Outlet	—	32mm Overflow Plug & Waste to be ordered separately (TA3240 or TA4032)
W x D x H	—	1010 x 460 x 125mm
Installation	—	This basin is not glazed at the rear, therefore, it is recommended that it be installed directly against the wall behind.
Warranty	—	10 years

Installation Note: It is recommended that the basin be installed using a flexible sealant. Epoxy type glues must not be used. To do so may void product warranty.

Twenty 120 Centre Bowl Bench Basin

Product Code: TC201210 (NTH), TC201211 (1TH), TC201213 (3TH)

The Twenty collection of luxury basins embody sleek and precise styling. Crisp planes, thin walls and a perimeter that elegantly frames the basin tops, combine to present feature pieces that are distinctive while not being bulky. Five configurations are available; full bowl, centre bowl with side shelves, right or left hand bowl with side shelf and double bowl with centre shelf.



Specifications

Colour / Finish	—	White / Gloss
Material	—	Vitreous China
Bowl Capacity	—	7.5L to Overflow
Tap Holes	—	0, 1 or 3
Overflow	—	Integral
Waste Outlet	—	32mm Overflow Plug & Waste to be ordered separately (TA3240 or TA4032)
W x D x H	—	1210 x 460 x 125mm
Installation	—	This basin is not glazed at the rear, therefore, it is recommended that it be installed directly against the wall behind.
Warranty	—	10 years

Installation Note: It is recommended that the basin be installed using a flexible sealant. Epoxy type glues must not be used. To do so may void product warranty.