



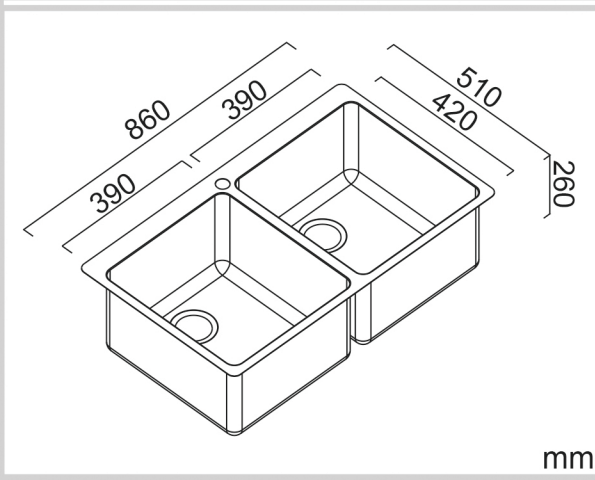
Model Code: LT45DX

Included Accessories

		
ICM	6020	

Optional Accessories

Dimensions



Specifications

Description	Double bowl, inset sink
Overall Sink Size	860mm x 510mm x 260mm deep
Bowl Dimensions	390mm 420mm x 260mm deep
Drainer Length	N/A
Technic	Handcrafted
Material	Stainless steel SUS304

Installation

Fixings	Inset clips supplied
Template	Supplied
Min Cabinet Size	912mm
Waste Holes	2 x 90mm round Compatible with waste disposal
Sealing Strip	Factory fitted

Plumbing

Waste Fittings	2 x (90mm x 2") basket wastes included
Overflow	Available, conditions apply

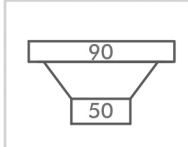
Packaging

Carton Type	EPS protection & sleeve
Gross Weight	7.68Kg
Carton Size	930mm x 335mm x 580mm
Pack QTY	1

SURFACE FINISH



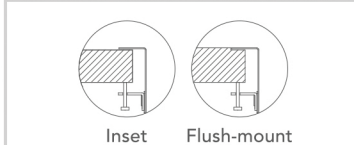
WASTE KIT



MATERIAL



INSTALLATION OPTIONS



PROFILE



Abey are Australia's leaders in sinkware, designing and manufacturing to the world's highest quality specifications as well as sourcing and bringing you Europe's very best, leading edge designs – practical, affordable, inspirational, stylish, timeless or cutting edge. When you buy an Abey stainless steel sink you receive the highest quality and 25 year warranty. Abey and the manufacturer are continually seeking ways to improve the design specifications, aesthetic and production techniques of the products. As a result, alterations to the specifications and dimensions of the products and designs occur continually.