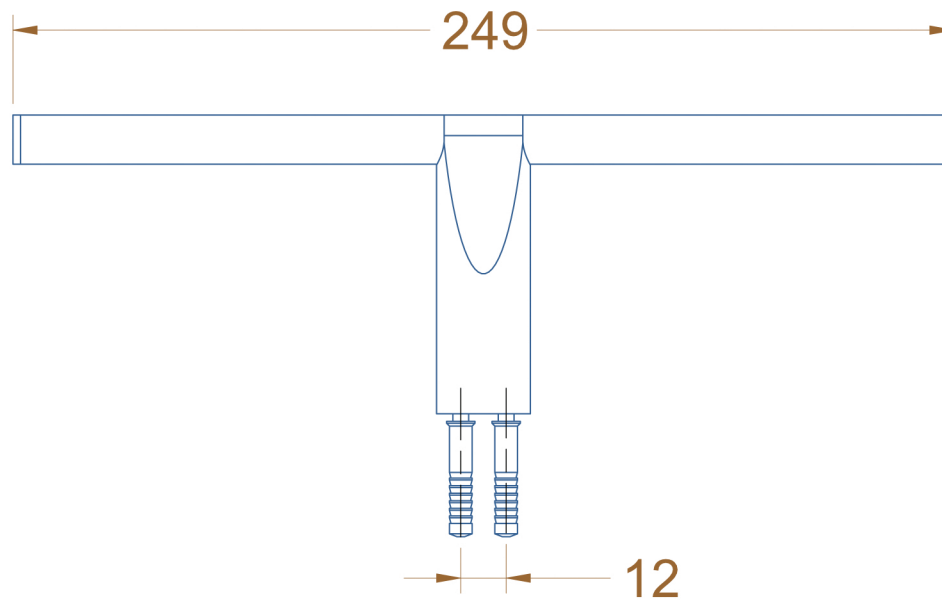
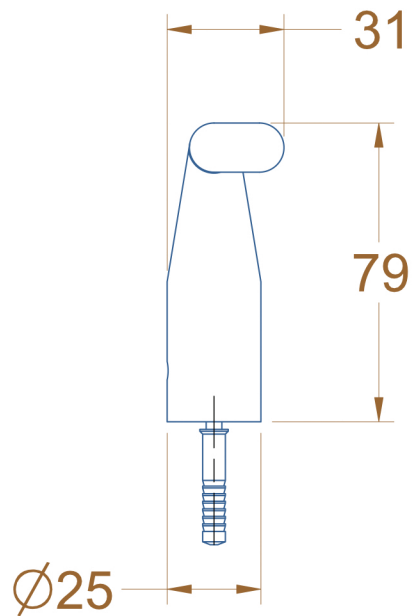


# REVISION TABLE

LETTER	DATE
A	25-Aug-14



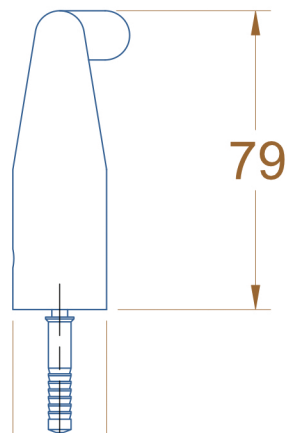
# REVISION TABLE

LETTER

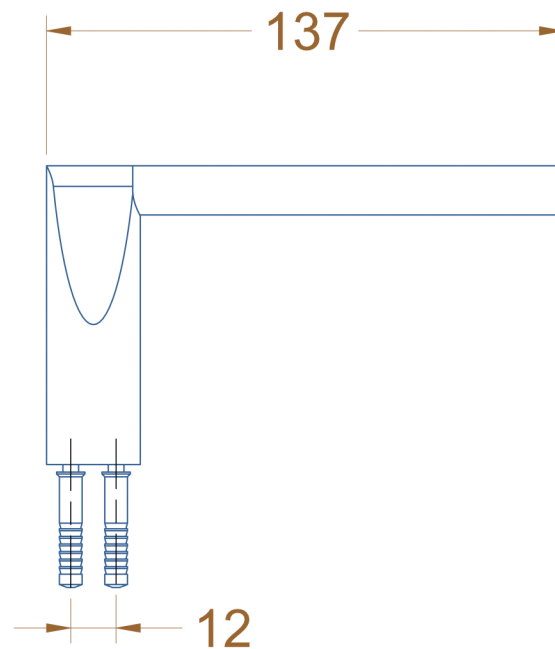
DATE

A

25-Aug-14



Ø25



12

# REVISION TABLE

LETTER

DATE

A

25-Aug-14

