

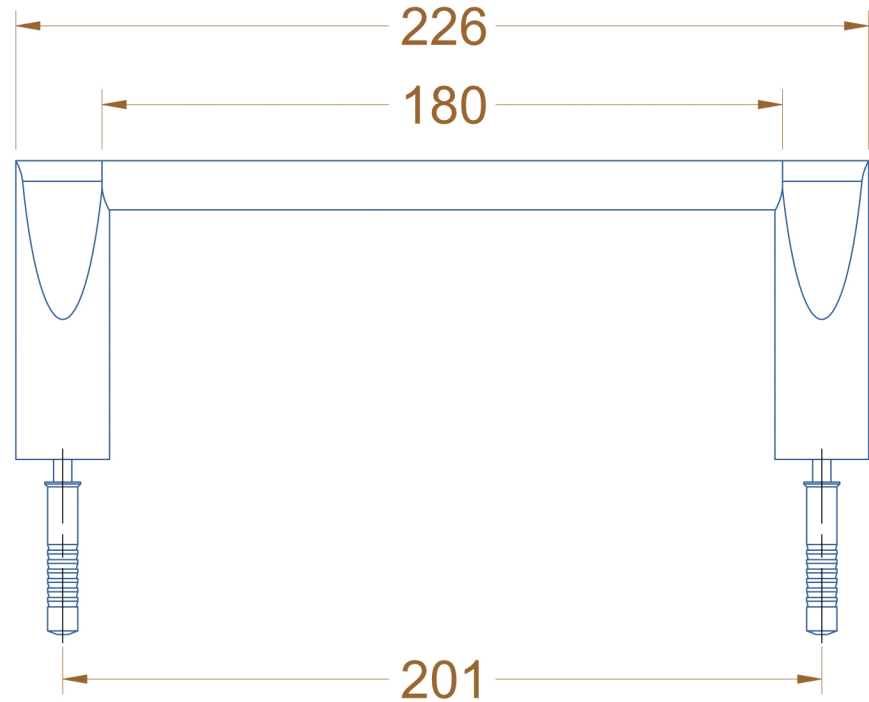
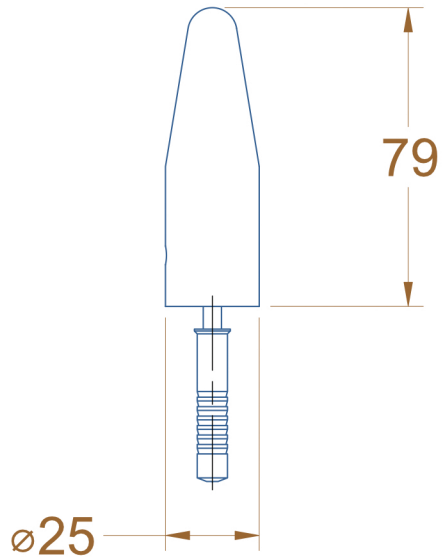
REVISION TABLE

LETTER

DATE

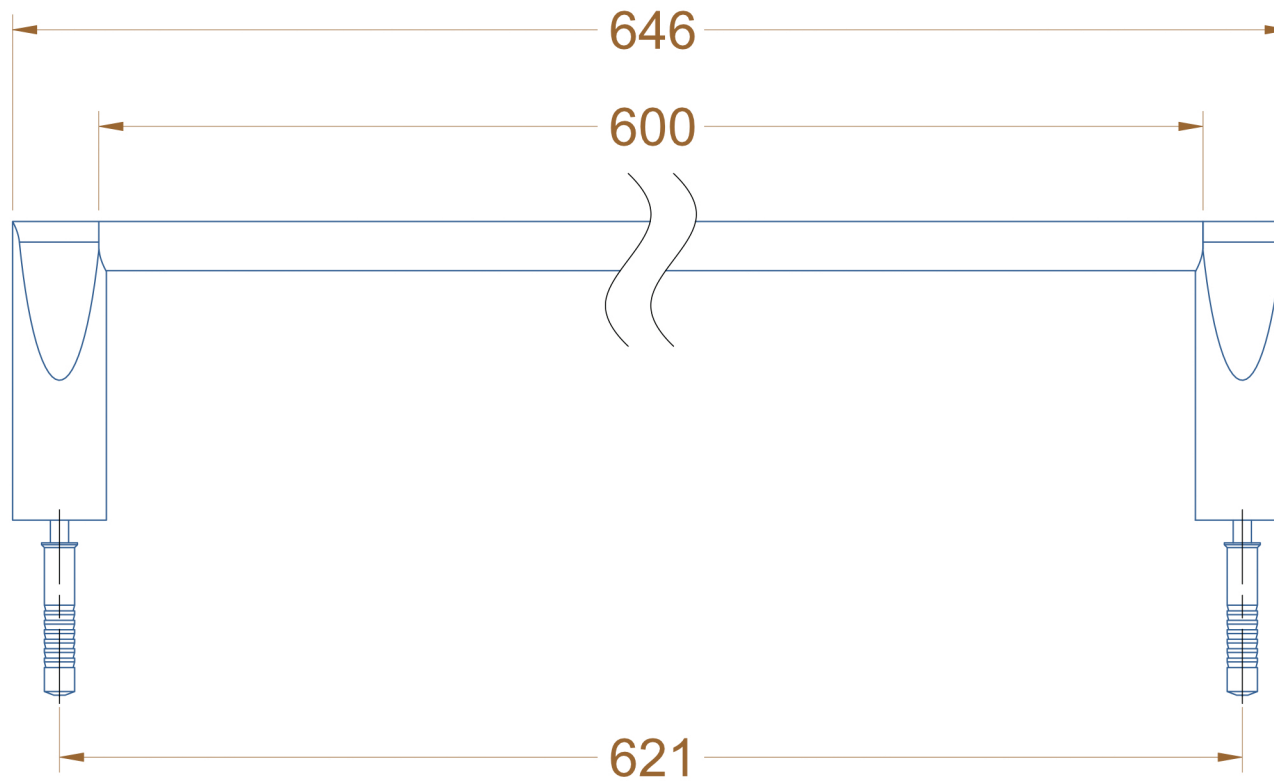
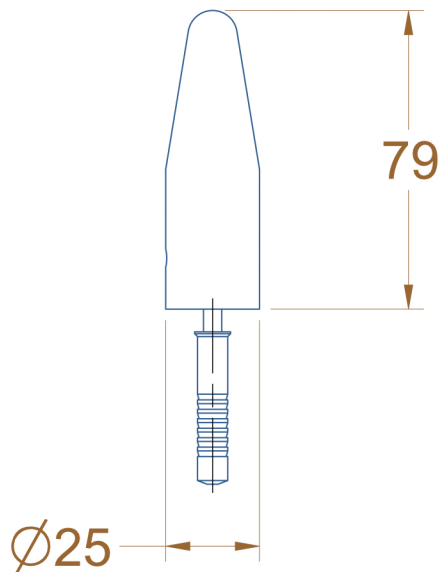
A

25-Aug-14



REVISION TABLE

LETTER	DATE
A	25-Aug-14



REVISION TABLE

LETTER

DATE

A

25-Aug-14

