

# LOOP GLASS PUSH PLATE

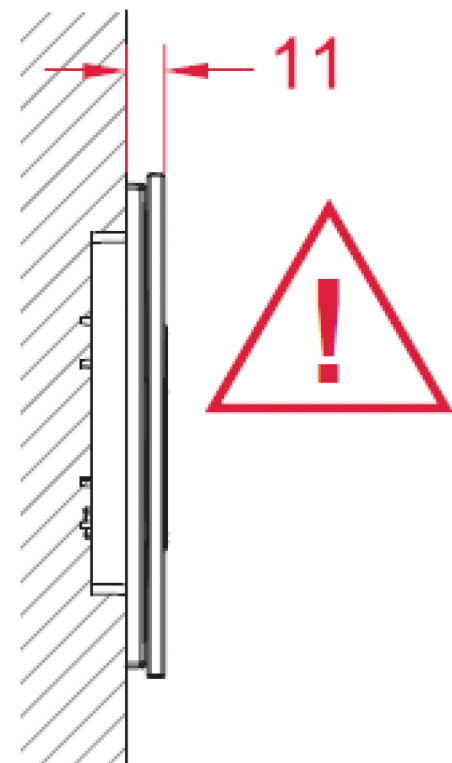
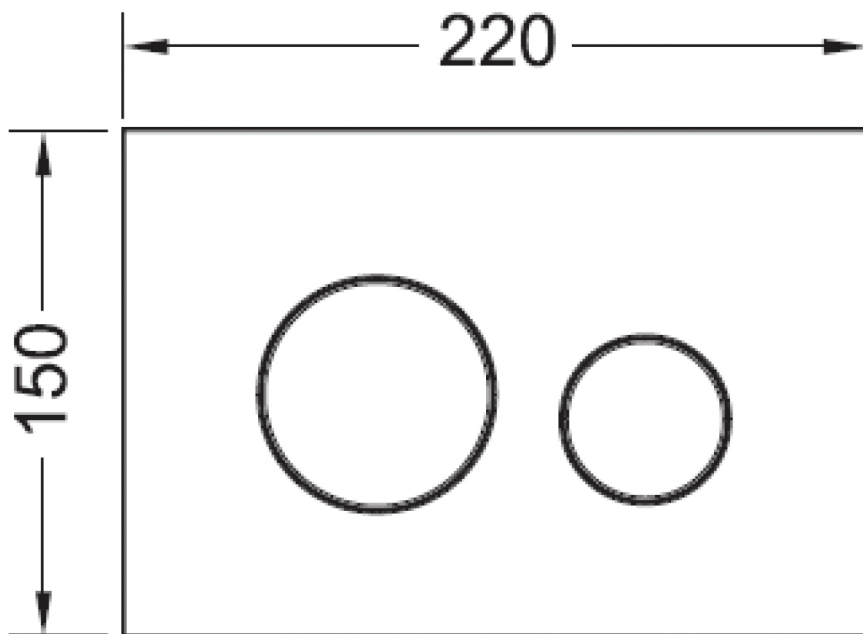
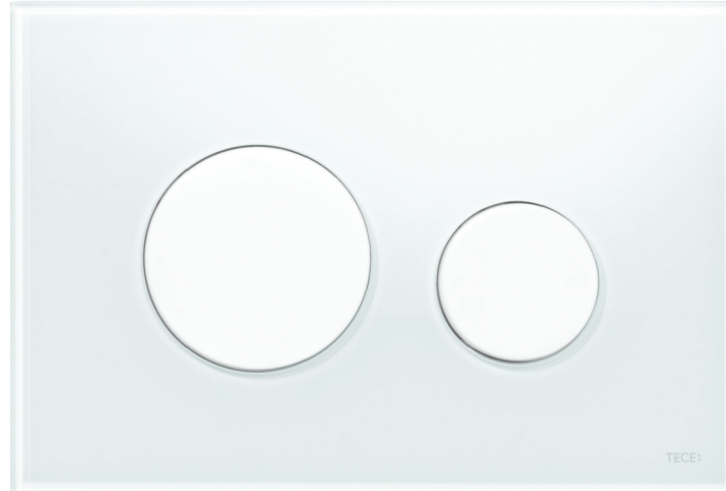
(9.240.650 - White/White)

**TECE**  
close to you

Suitable for use with all TECE Cisterns

Sheeting Requirements (Prior to tiling):  
Standard Mount - 18mm non flex board  
Flush Mount - 25mm non flex board

Note:  
Flush mounting requires  
TECE Flush Mount Kit which is sold separately  
White - 9.240.646  
Black - 9.240.647  
Chrome - 9.240.649



*Just*  
BATHROOMWARE