

LOOP GLASS PUSH PLATE

(9.240.656 - Black/Chrome)

TECE
close to you

Suitable for use with all TECE Cisterns

Sheeting Requirements (Prior to tiling):
Standard Mount - 18mm non flex board
Flush Mount - 25mm non flex board

Note:

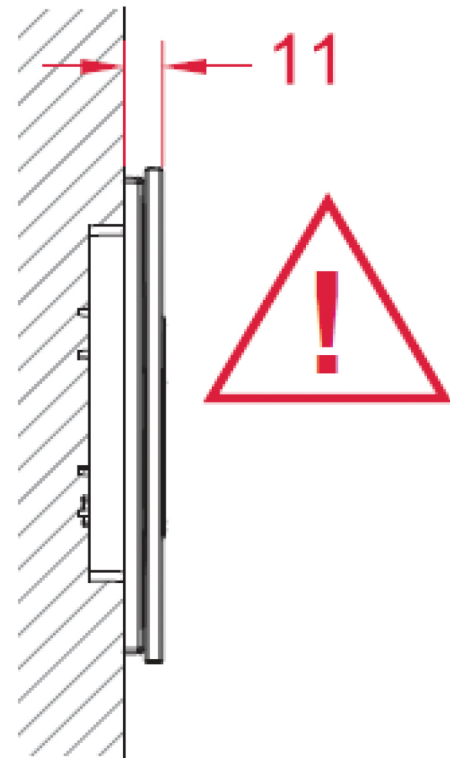
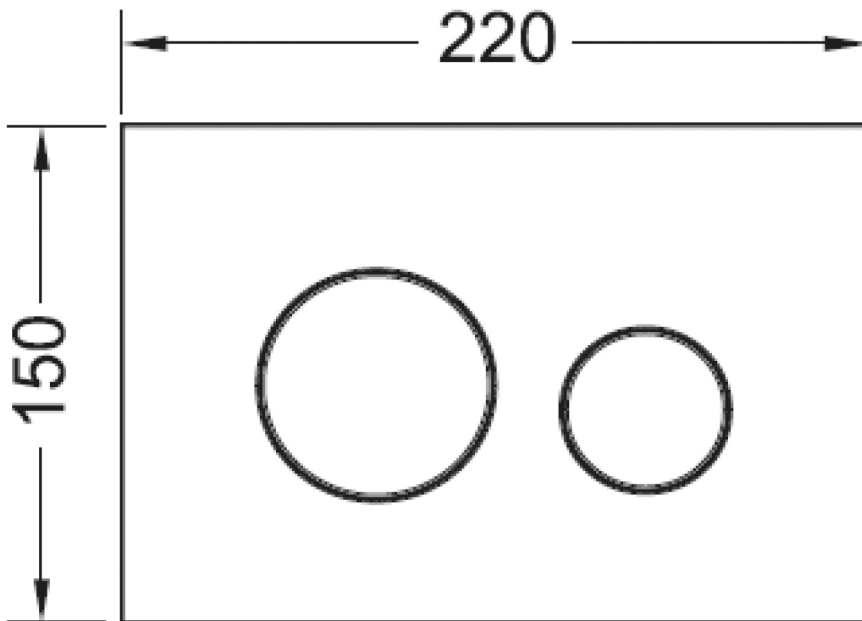
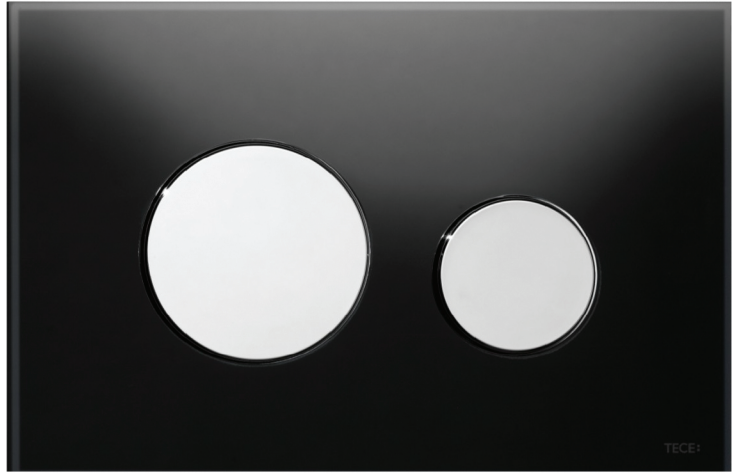
Flush mounting requires

TECE Flush Mount Kit which is sold separately

White - 9.240.646

Black - 9.240.647

Chrome - 9.240.649



Just
BATHROOMWARE