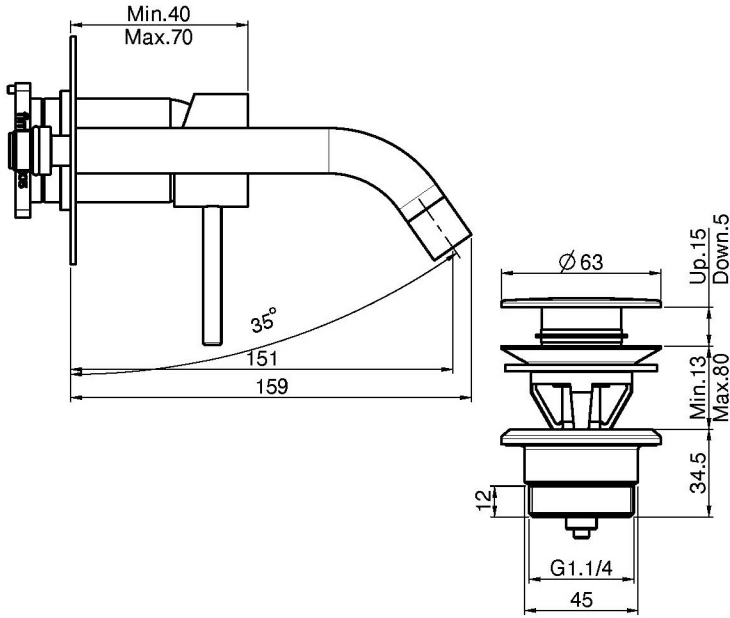
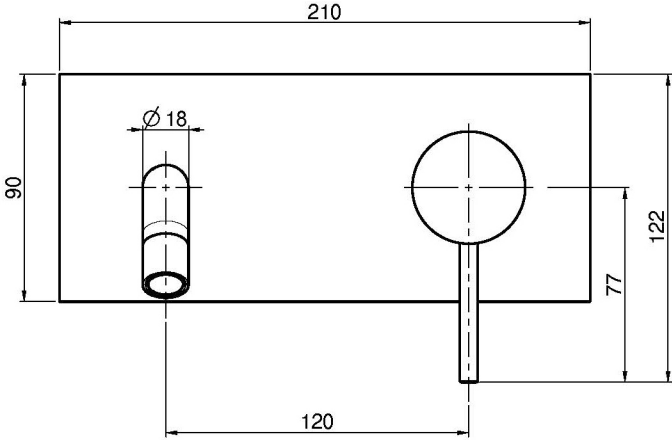


F3051X5 - Technical drawing



F3051LX5 - Technical drawing

