

SensoWash® Starck f Lite

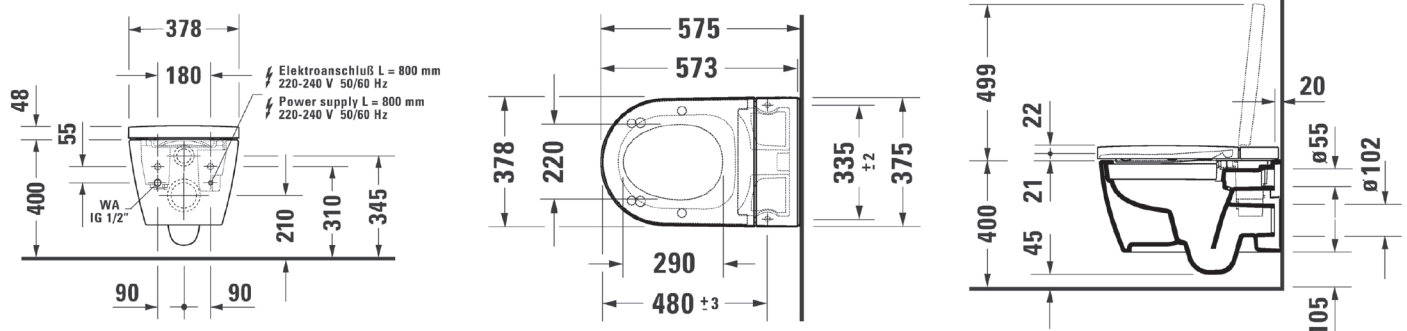
CODE: 612001012400314



Product Information

Collection	SensoWash®	WELS Rating	4 Star
Designer	Philippe Starck	Water Consumption	4.6/3L (3.3 Avg) Flush
Colour	Alpine White	Warranty	15 Years (Conditions Apply)
Seat	Remote Soft Close		2 Years (SensoWash)
Trap	P-Trap		

Technical Diagrams



SensoWash® Starck f Lite

CODE: 612001012400314

Features & Benefits

- Rear & front and oscillating wash
- Seat heating
- Intelligent energy saving mode
- Warm air dryer
- Individual adjustment of water
- Air and seat surface temperature adjustment
- Adjustable nozzle position and jet strength
- Automatic drainage in periods of prolonged disuse
- Descaling function
- Night light
- Rimless flush
- Self-cleaning wand
- Stainless steel nozzles
- Instant water heating system
- Quick Release - Easy installation
- Remote control included
- Bluetooth App operation
- Automatic seat opening via remote/app
- Wall-mountable holder
- Seat/lid material thermoplastic
- Hygiene Glaze 2.0
- Concealed connections