

**ARMANDO
VICARIO**

Armando Vicario & C. Srl
Via De Gasperi, 49 - 28024 Gozzano (NO) - Italy
Tel. +39 0322 93405, +39 0322 94386
Fax +39 0322 956451 www.vicarioarmando.com

DESCRIZIONE

Mix monoc. lavello ISA

CODICE

40 0456

Rev. Ver.:

00.2

DATA:

03/12/13

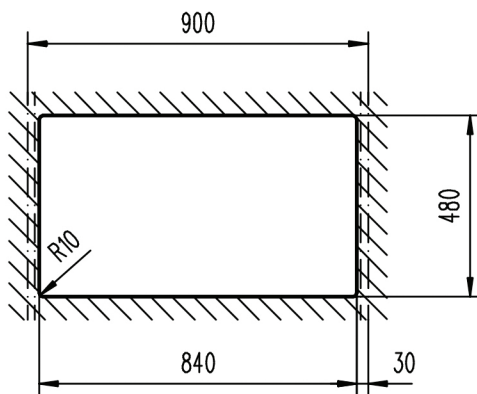
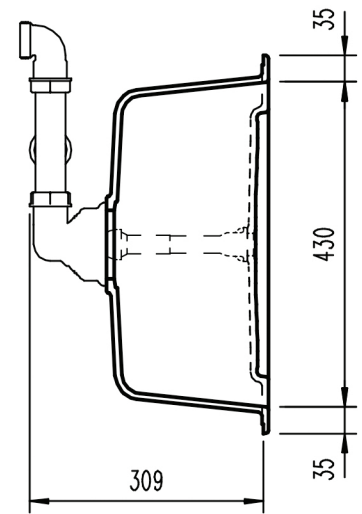
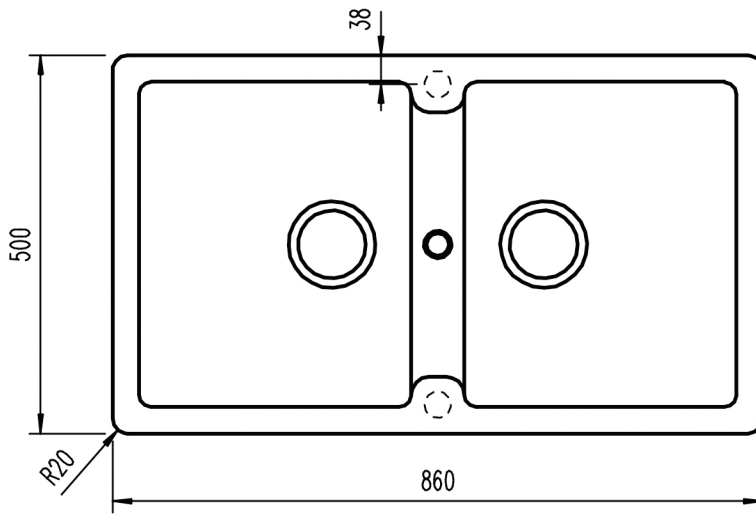
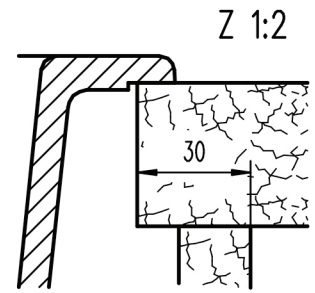
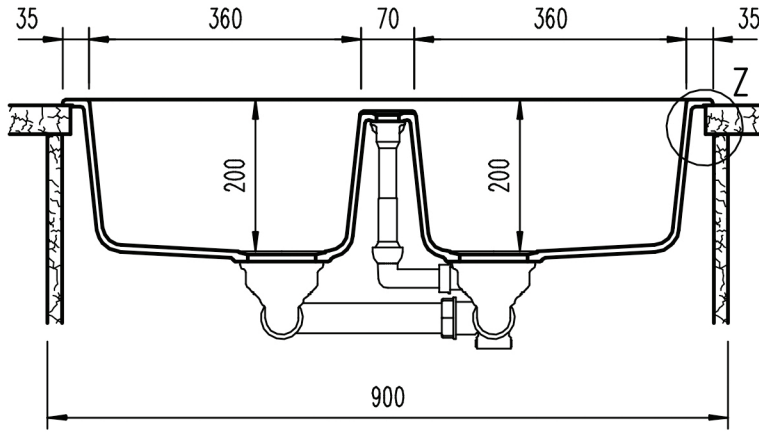
SERIE

ISA

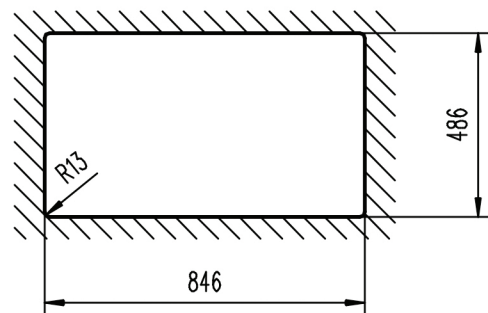
DATA MODIFICA:

-

TOLL. ± 5 mm



Ausschnitt übergreifend 1:20



Ausschnitt Unterbau 1:20

| | | | | | | | |
|-------|----------|-------|------|----------------------------------|--------|----------------------|--|
| | | | | Maßstab 1:10 | | Material: Cristalite | |
| | | | | Art. Nr. 568 | | | |
| | | | | Typos N-200 | | | |
| | | | | 4.12.805.04.00 | | | |
| | | | | Blatt | | | |
| | | | | Bl. | | | |
| | | | | SCHOCK ◀ | | | |
| | | | | Hofbauerstraße 1 · D-94209 REGEN | | | |
| Zust. | Änderung | Datum | Name | 2012 | Datum | Name | |
| | | | | Bearb. | 09.08. | KM | |
| | | | | Gepr. | | | |
| | | | | Norm | | | |