

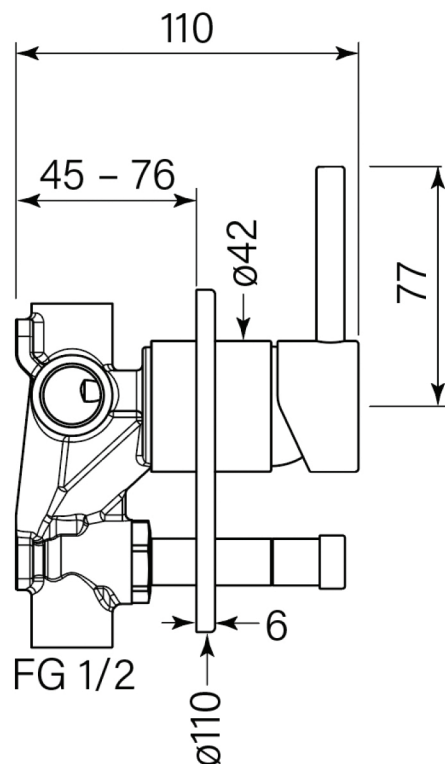
# Product Specifications

30643-11 Pegasi M Wall Mixer with Diverter, Chrome



## Features:

- Built in Australia
- 2 stage flow-step valve
- 110 mm diameter cover plate
- Diverter with hold-out lock
- Pin down version available at extra cost
- M series



WM-022284