

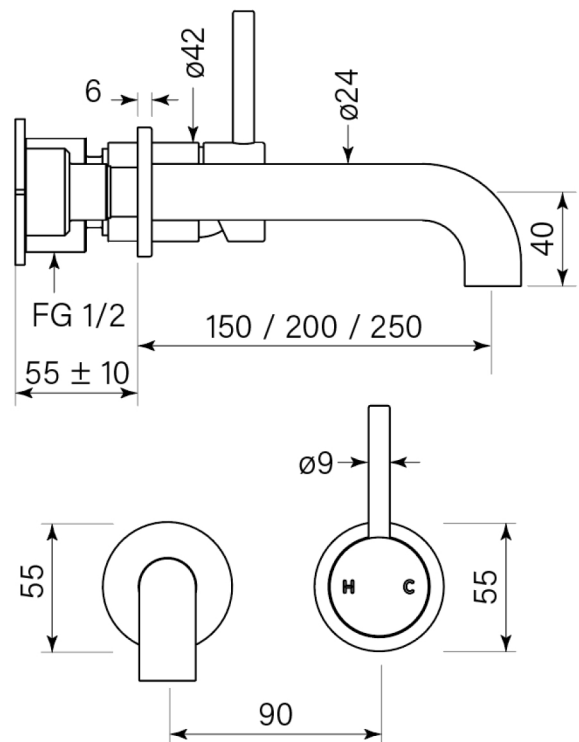
# Product Specifications

**30657-11** Pegasi M Wall Bath Mixer Set 150, Chrome



## Features:

- Built in Australia
- Reach 150 mm
- 2 stage flow step valve
- Includes in-wall breach
- Recessed flow straightener
- Free flow
- M series



WaterMark

WM-022284



# Product Specifications

**30654-11** Pegasi M Wall Basin Mixer Set 150, Chrome



## Features:

- Built in Australia
- Reach 150 mm
- 2 stage flow step valve
- Includes in-wall breach
- Recessed aerator
- M series

