

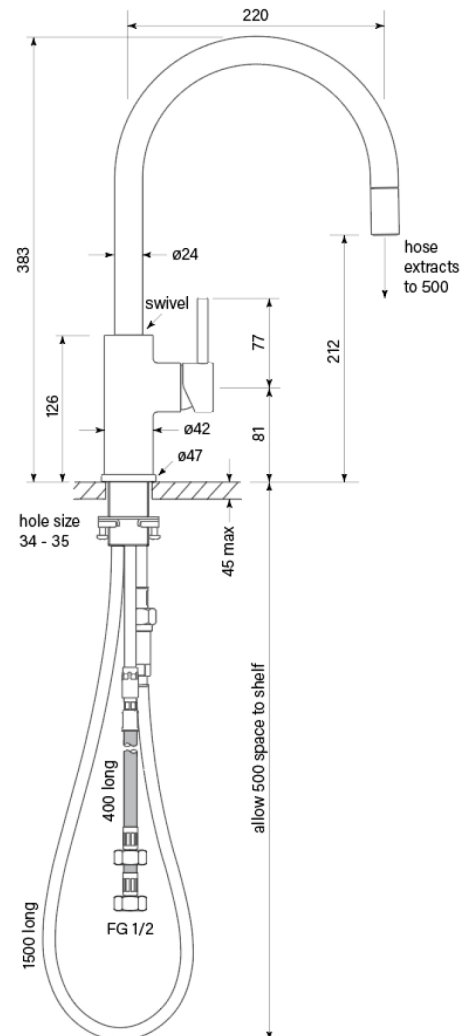
# Product Specifications

**30694-11** Pegasi M Sink Mixer Curve, Pull Out, Chrome



## Features:

- Designed & built in Australia
- Swivel spout reach 220 mm
- 2 stage flow step valve
- 34-35mm sink hole
- Recessed aerator
- Hose extracts to 500mm
- M series



WaterMark

WM-022284

