

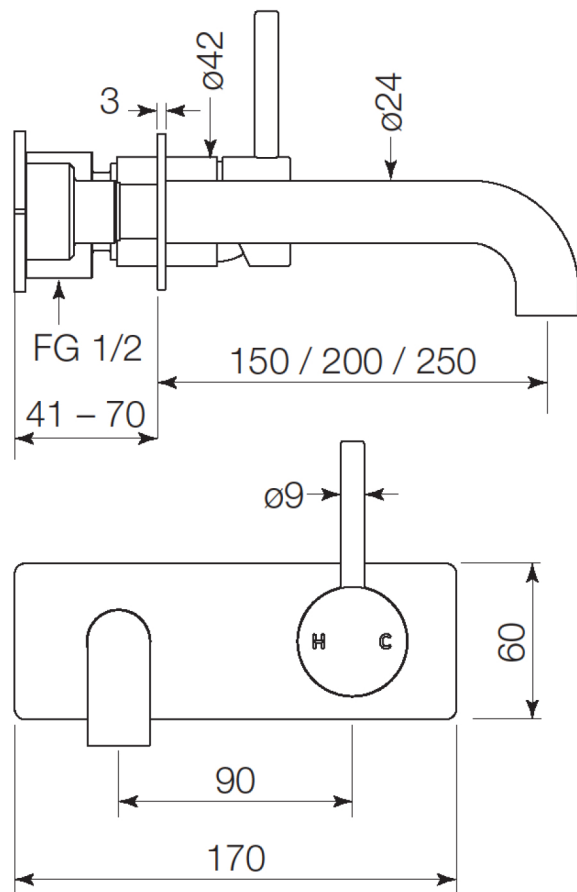
Product Specifications

30645-11 Pegasi M Back Plate Basin Mixer 200, Chrome



Features:

- Built in Australia
- 200mm reach
- 2 stage flow step valve
- Includes in-wall breach
- Recessed aerator
- M series



WaterMark

WM-022284



Product Specifications

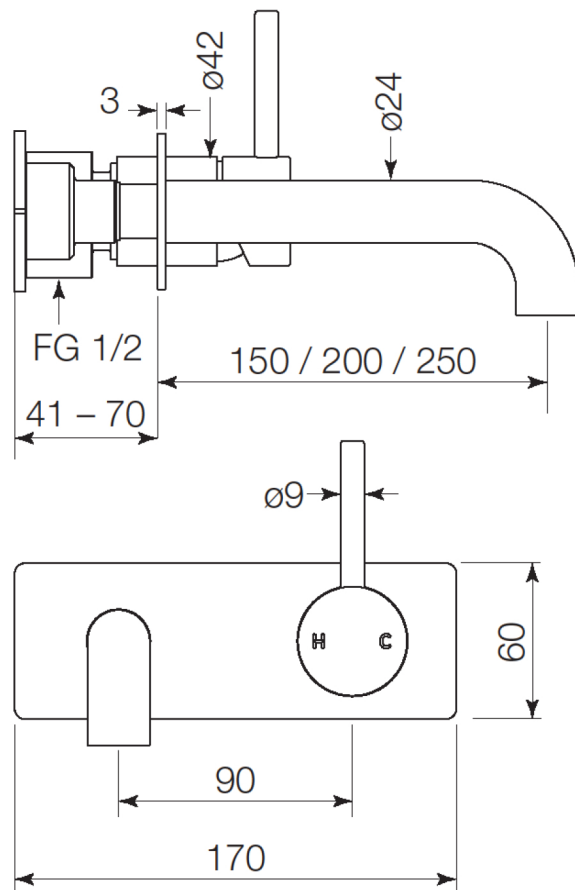
30648-11 Pegasi M Back Plate Bath Mixer 200, Chrome



Just
BATHROOMWARE

Features:

- Built in Australia
- 200mm reach
- 2 stage flow step valve
- Includes in-wall breach
- Free flow
- Recessed flow straightener
- M series



WaterMark

WM-022284

