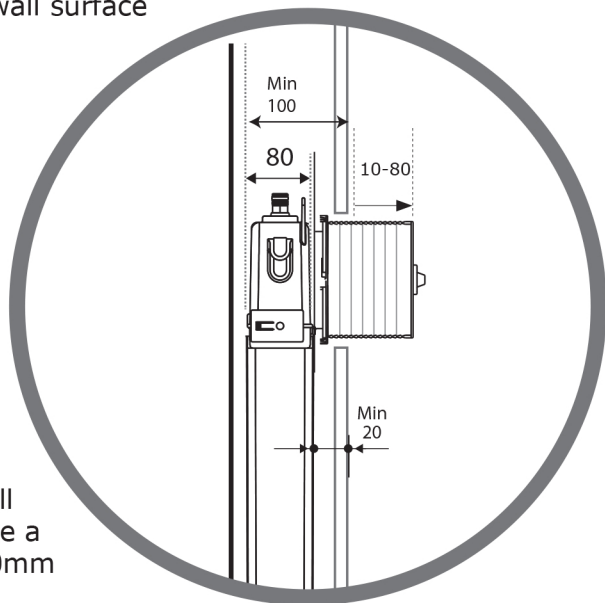




Minimum of 100mm from rear of cistern to front edge of finished wall surface

Min. projection of 10mm - Max. projection of 80mm of tile flange box required prior to trimming to accommodate actuator.



NOTE
See next page for compatible actuators

Cavity & wall thickness to be a minimum of 20mm

Oli-74

IN-WALL CISTERN

STYLE

In Wall Cistern

CODE

601602/MC
(if used with mechanical actuators)

601602/PN
(if used with pneumatic actuators)

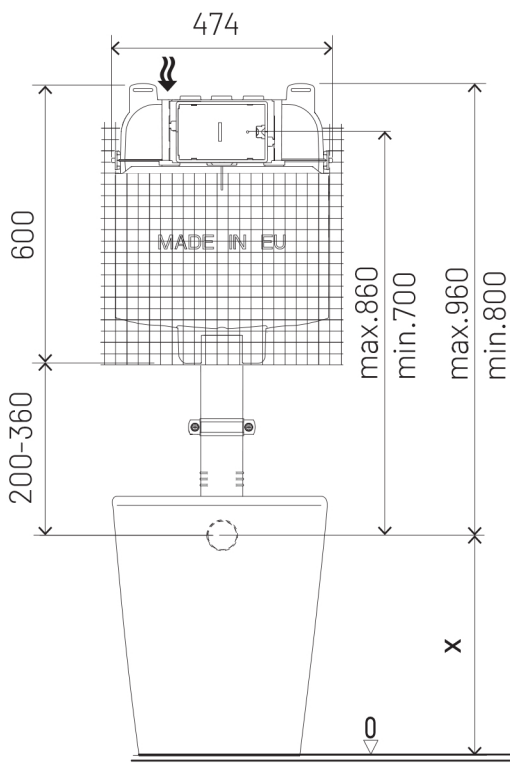
WEIGHT

3.5 kg

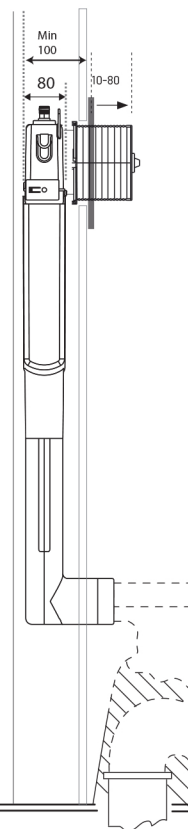
FEATURES

- Front access only
- Dual flush in-wall cistern with 4.5/3 litre flush
- 80mm min. wall cavity requirement
- 10 Year Warranty
- Manufactured in Europe
- Mechanical actuator kit included

Front View



Side View



WELS RATING



COMPATIBLE ACTUATORS

Oli 74 IN-WALL CISTERN

Cistern Code by Actuator



GLAM

601602/MC



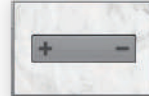
GLOBE

601602/MC



OCEANIA

601602/MC



OCEANIA MIA

601602/MC



PLAIN

601602/MC



SLIM

601602/MC



BLINK

601602/PN



TREND

601602/PN



SPHERA +

601602/PN



SPHERA -

601602/PN



KARISMA

601602/PN