

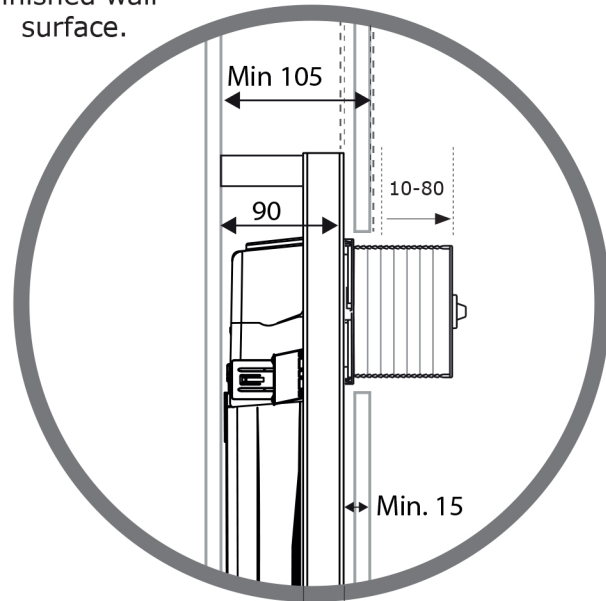


Min. 105 mm from rear of cistern to front edge of finished wall surface.

Min. projection of 10mm - Max. projection of 80mm of tile flange box required prior to trimming to accommodate actuator.

**NOTE**

See next page for compatible actuators



15 mm minimum cavity and wall thickness (in front of frame)

## Oli 74

### IN-WALL CISTERN WITH FRAME

**CODE**

601803/MC  
(if used with mechanical actuators)

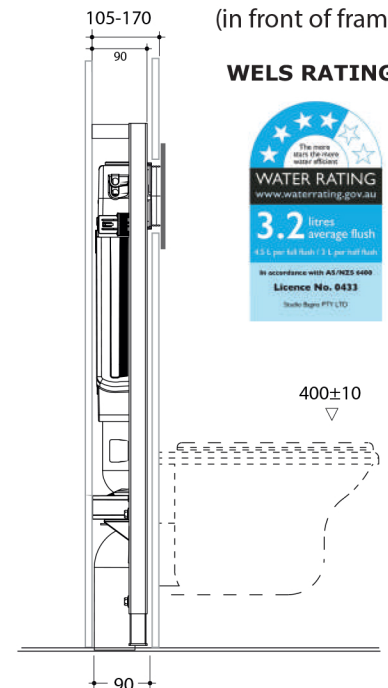
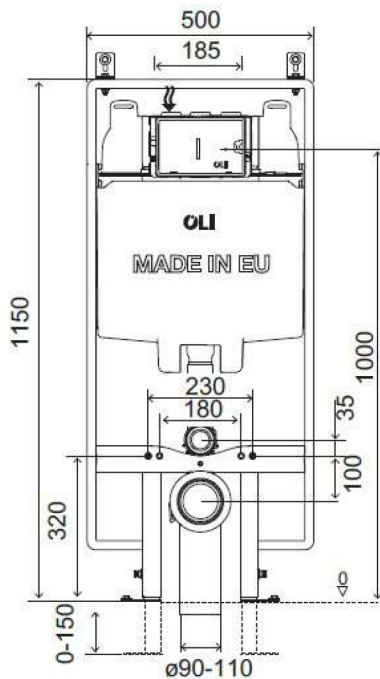
601803/PN  
(if used with pneumatic actuators)

**WEIGHT**

14 kgs

**FEATURES**

- Front access only
- Dual flush in-wall cistern with 4.5/3 litre flush
- Ultra compact inlet valve
- Painted tubular frame
- 90mm thickness
- Adjustable outlet bend
- Frame tested to 400 kg load
- Height adjustable from 0 to 150 mm
- Stop cock provided
- Brackets for pre-wall fixing
- Protection box supplied for tiling purposes
- 10 Year Warranty
- Manufactured in Europe
- Mechanical actuator kit included



**WELS RATING**



400±10  
▽

# COMPATIBLE ACTUATORS

## Oli 74 IN-WALL CISTERN WITH FRAME

### Cistern Code by Actuator



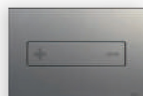
GLAM

601803/MC



GLOBE

601803/MC



OCEANIA

601803/MC



OCEANIA MIA

601803/MC



PLAIN

601803/MC



SLIM

601803/MC



BLINK

601 803/PN



TREND

601 803/PN



SPHERA +

601 803/PN



SPHERA -

601 803/PN



KARISMA

601 803/PN