
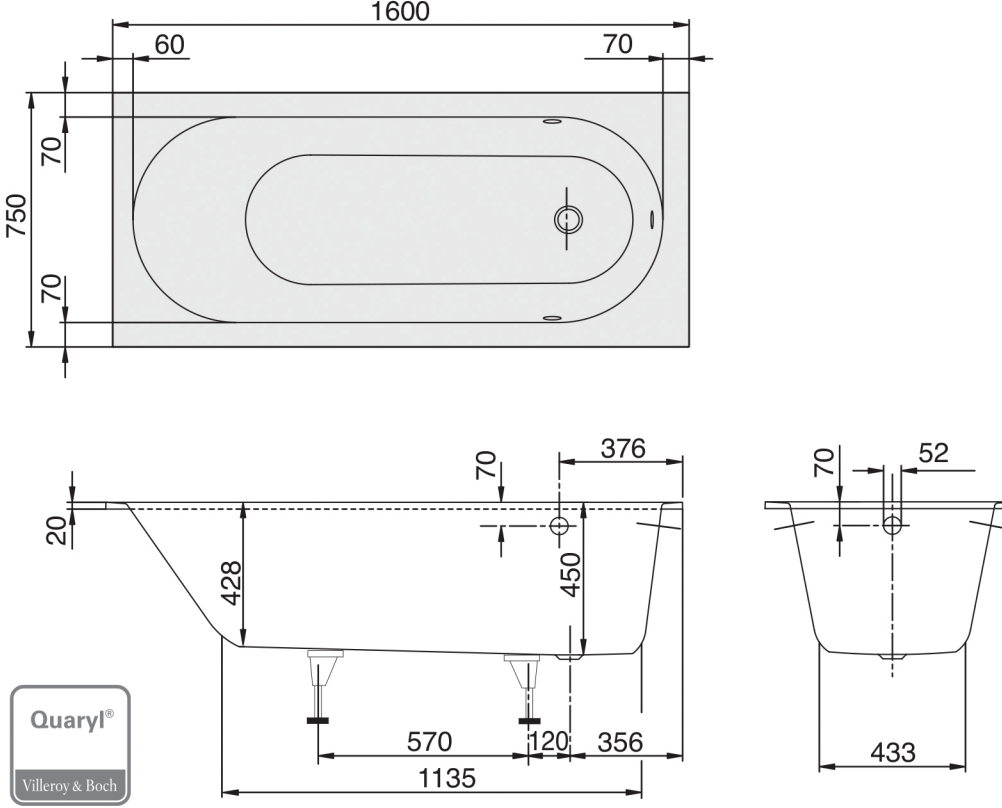




OBERON 1600 DROP IN BATH


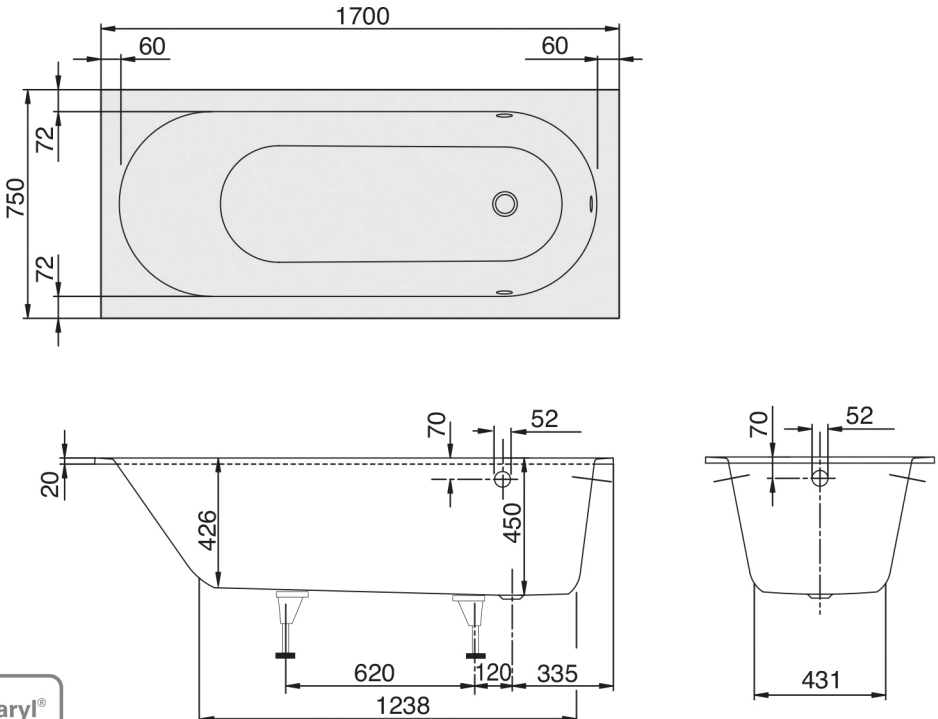
Product Image	Technical Specification
	 <p>Quaryl® Villeroy & Boch</p>

Description	
Oberon 1600 Drop In Bath	
BQ1600BE2V BQ1600BE2VB BQ1600BE2WFB BQ1600BE2VWB BQ1600BE2WWFB	No Overflow No Waste Chrome Overflow Waste Chrome Overflow Waste Bath Filler White Overflow Waste White Overflow Waste Bath Filler
OPTIONAL: 994613 900mm Tiling Lip 994612 1800mm Tiling Lip	

Additional Information
<ul style="list-style-type: none"> • Overflow baths are pre-drilled for end Overflow / Bath Filler location • Adjustable Bath Feet supplied standard • Available with optional integrated Bath Filler • For Bath Filler Option, a mixed water supply rough-in point needs to be close to the Bath Filler / Overflow location and be at least 250mm below the top of the bath • Made from Quaryl® • 10 Year Warranty *Conditions Apply • Weight: 36kg • Size in Litres: 125L



OBERON 1700 DROP IN BATH


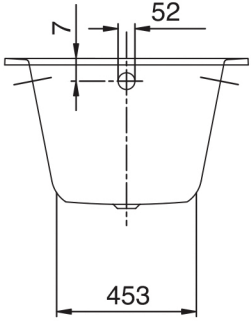

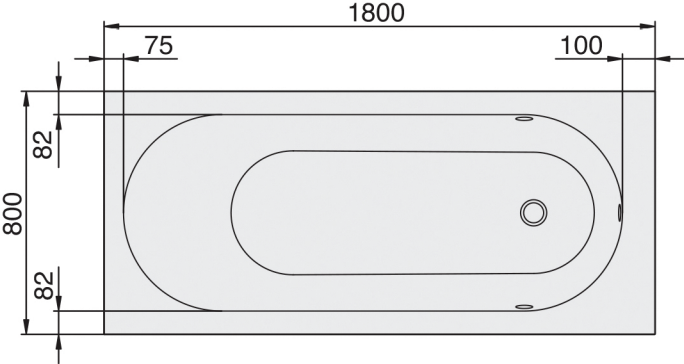
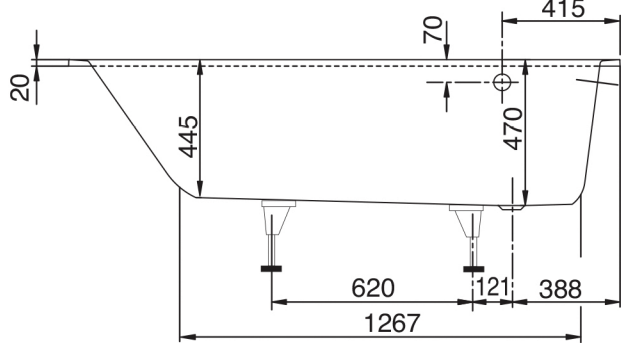
Product Image	Technical Specification
 <div data-bbox="491 1220 614 1339" style="border: 1px solid black; padding: 5px; width: fit-content;"> <p>Quaryl® Villeroy & Boch</p> </div>	

Description	
Oberon 1700 Drop In Bath	
BQ1700BE2V BQ1700BE2VB BQ1700BE2WFB BQ1700BE2VWB BQ1700BE2WWFB	No Overflow No Waste Chrome Overflow Waste Chrome Overflow Waste Bath Filler White Overflow Waste White Overflow Waste Bath Filler
OPTIONAL:	
994613 994612	900mm Tiling Lip 1800mm Tiling Lip

Additional Information
<ul style="list-style-type: none"> • Overflow baths are pre-drilled for end Overflow / Bath Filler location • Adjustable Bath Feet supplied standard • Available with optional integrated Bath Filler • For Bath Filler Option, a mixed water supply rough-in point needs to be close to the Bath Filler/ Overflow Waste location and be at least 250mm below the top of the bath • Made from Quaryl® • 10 Year Warranty *Conditions Apply • Weight: 42kg • Size in Litres: 135L



OBERON 1800 DROP IN BATH

Product Image	Technical Specification
  	 

Description	
Oberon 1800 Drop In Bath	
BQ1800BE2V BQ1800BE2VB BQ1800BE2WFB BQ1800BE2VWB BQ1800BE2WWFB	No Overflow No Waste Chrome Overflow Waste Chrome Overflow Waste Bath Filler White Overflow Waste White Overflow Waste Bath Filler
OPTIONAL:	
994613 994612	900mm Tiling Lip 1800mm Tiling Lip

Additional Information
<ul style="list-style-type: none"> • Overflow baths are pre-drilled for end Overflow / Bath Filler location • Adjustable Bath Feet supplied standard • Available with optional integrated Bath Filler • For Bath Filler Option, a mixed water supply rough-in point needs to be close to the Bath Filler/ Overflow location and be at least 250mm below the top of the bath • Made from Quaryl® • 10 Year Warranty *Conditions Apply • Weight: 44kg • Size in Litres: 175L