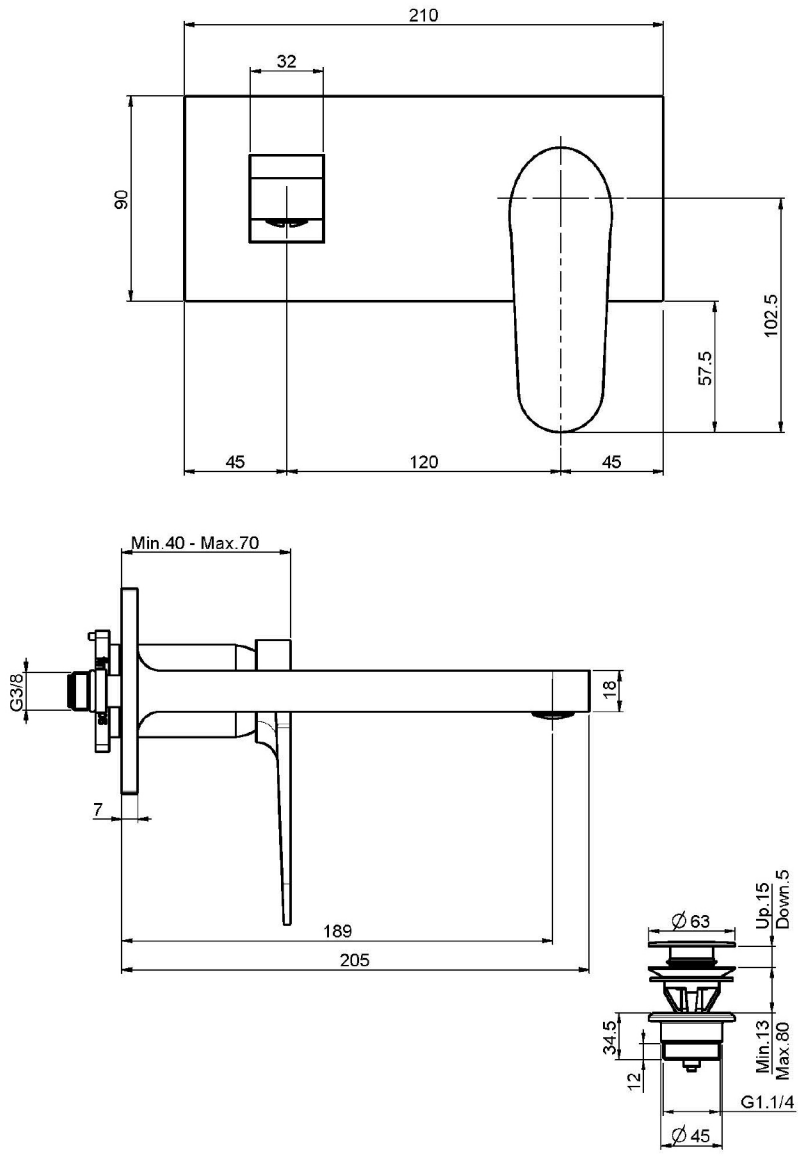


F3961LX5 - Technical drawing



F3961X5 - Technical drawing

