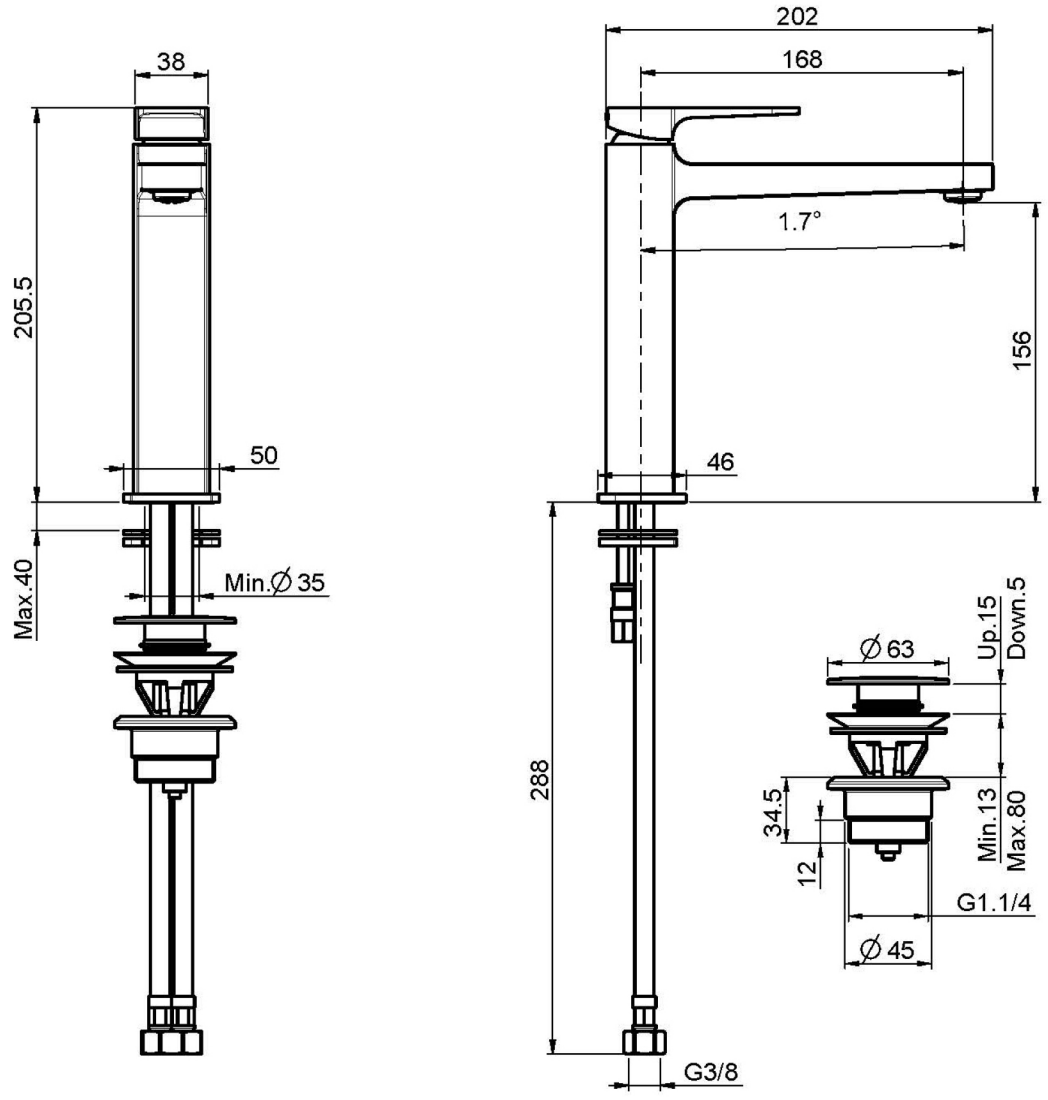


F3941LN - Technical drawing



F3941LN - Technical drawing

