

PRODUCT INFORMATION

Installation	Topmount/Flushmount
Dimensions	562 x 412mm
Cabinet Base	800mm
Bowl Size	550 x 400 x 200mm/44L
Bowl Radius	25mm
Cut-Out Size	See Installation Document
Cut-Out Template	No
Waste Outlet	Semi Integrated Waste
Overflow	Yes
Tap Holes	No
Remote Waste	Yes (35mm hole required in benchtop)
Finish	Stainless Steel
Warranty	50 Years

ACCESSORIES

— Included Accessory
- - - Available Accessory



DT288
Extension Drainer



RM081
Rollamat



PB835
Push Button Waste



CBP082
Chopping Board



SB398
Strainer Bowl

NOTE: Cut-out dimensions are a guide only, please use the actual sink as your template.

FEATURES & BENEFITS



Food Preparation Centre



18/10 Stainless Steel



Push Button Remote Waste

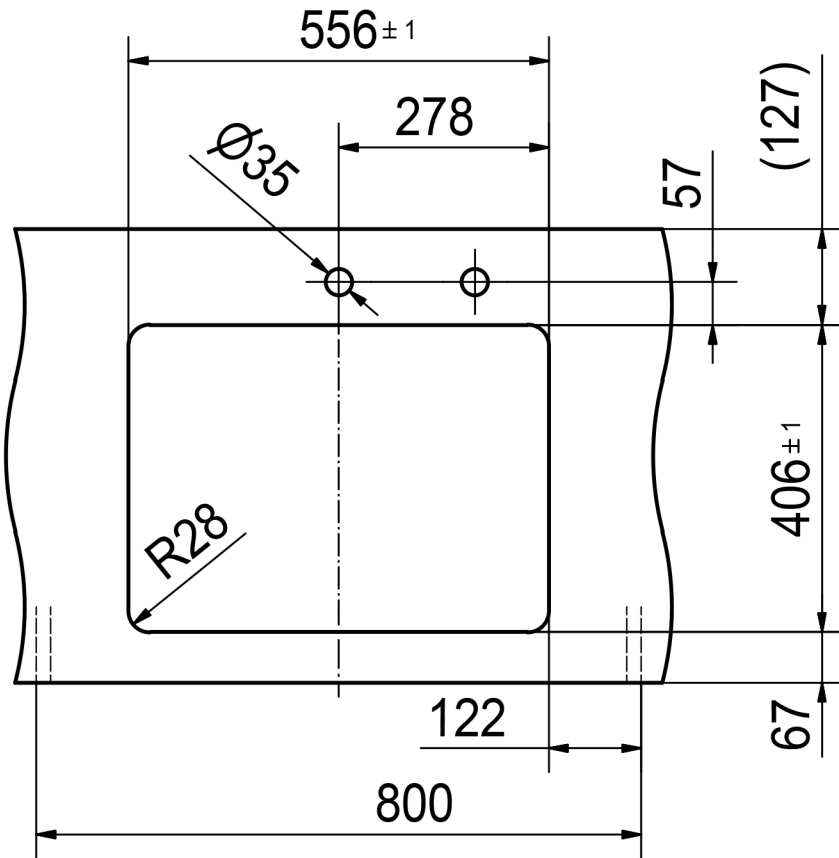


Hidden Overflow



Sound Deadening Pads

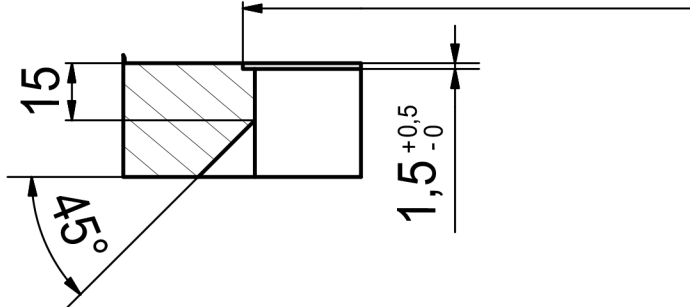
CO



for flush fit only

562.4 x 412.4 x R31.2

(tolerance: +0.5/0)



Drawing No.	20140368_01	Revision	
Drawn Date	07.06.2019		
<small>These drawings and specifications are the property of Franke Technology and Trademark Ltd. and shall not be reproduced, copied or transferred to any third party without the prior written permission of Franke Technology and Trademark Ltd., Hergiswil, Switzerland</small>			



MYX 210-55 I
installing document

Sheet	Sheets
3	6