

PRODUCT INFORMATION

Installation	Topmount/Flushmount
Dimensions	462 x 412mm
Cabinet Base	550mm
Bowl Size	450 x 400 x 200mm/36L
Bowl Radius	25mm
Cut-Out Size	See Installation Document
Cut-Out Template	No
Waste Outlet	Semi Integrated Waste
Overflow	Yes
Tap Holes	No
Remote Waste	Yes (35mm hole required in benchtop)
Finish	Stainless Steel
Warranty	50 Years

NOTE: Cut-out dimensions are a guide only, please use the actual sink as your template.

FEATURES & BENEFITS



Food Preparation Centre



18/10 Stainless Steel



Push Button Remote Waste



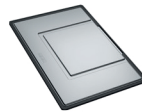
Hidden Overflow



Sound Deadening Pads

ACCESSORIES

— Included Accessory
- - - Available Accessory



DT288
Extension Drainer



RM081
Rollamat



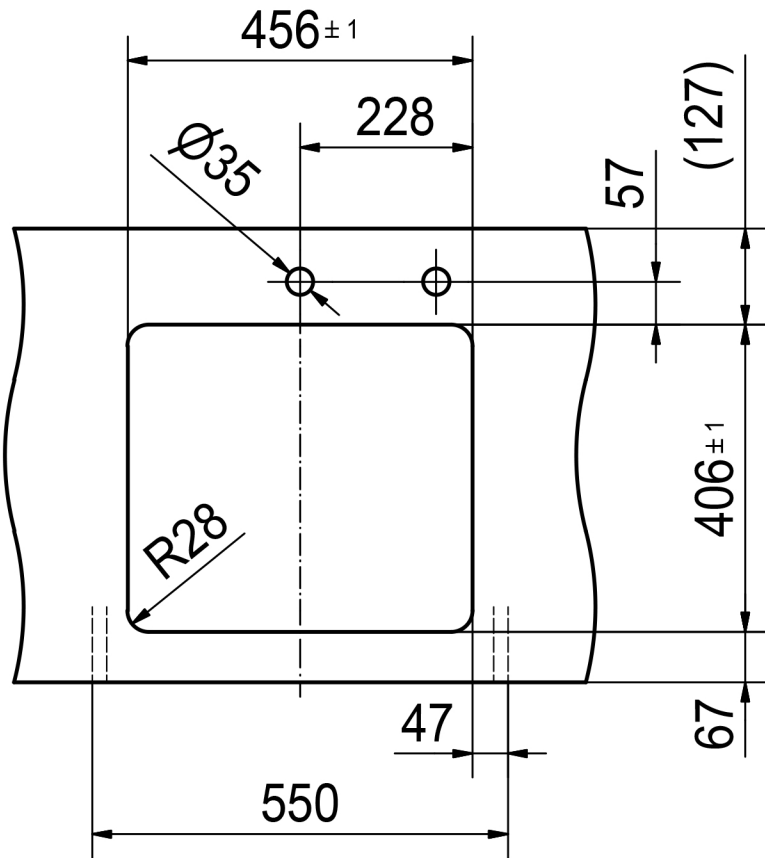
PB835
Push Button Waste



CBP082
Chopping Board



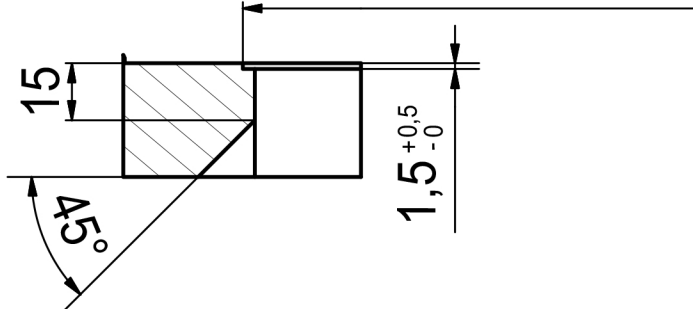
SB398
Strainer Bowl



for flush fit only

462.4 x 412.4 x R31.2

(tolerance: +0.5/0)



Drawing No.	20140365_01	Revision	
Drawn Date	07.06.2019		
<small>These drawings and specifications are the property of Franke Technology and Trademark Ltd. and shall not be reproduced, copied or transferred to any third party without the prior written permission of Franke Technology and Trademark Ltd., Hergiswil, Switzerland</small>			



MYX 210-45 I
installing document

Sheet	Sheets
3	6