

PRODUCT INFORMATION

Installation	Undermount
Dimensions	745 x 440mm
Cabinet Base	800mm
Bowl Size	340 x 400 x 200mm/27L (x2)
Bowl Radius	25mm
Cut-Out Size	705 x 400mm, cr=25
Cut-Out Template	Yes
Waste Outlet	Semi Integrated Waste
Overflow	Yes
Tap Holes	No
Remote Waste	Yes (35mm hole required in benchtop)
Finish	Stainless Steel
Warranty	50 Years

NOTE: Cut-out dimensions are a guide only, please use the actual sink as your template.

FEATURES & BENEFITS



Food Preparation Centre



18/10 Stainless Steel



Push Button Remote Waste



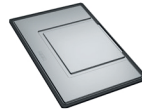
Hidden Overflow



Sound Deadening Pads

ACCESSORIES

— Included Accessory
- - - Available Accessory



DT288
Extension Drainer



RM081
Rollamat



PB835
Push Button Waste

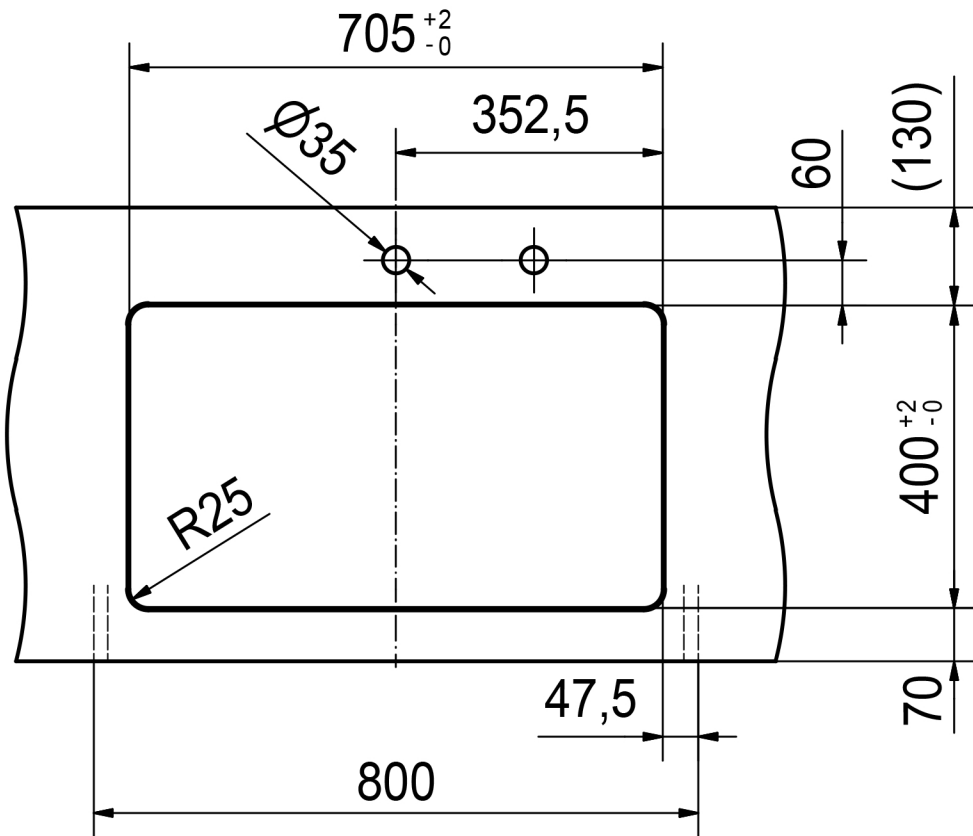


CBP082
Chopping Board



SB398
Strainer Bowl

CO



Drawing No.	20140332_01	Revision	
Drawn Date	07.06.2019		
<small>These drawings and specifications are the property of Franke Technology and Trademark Ltd. and shall not be reproduced, copied or transferred to any third party without the prior written permission of Franke Technology and Trademark Ltd., Hergiswil, Switzerland</small>			



MYX 120-34-34 I
installing document

Sheet	Sheets
3	6