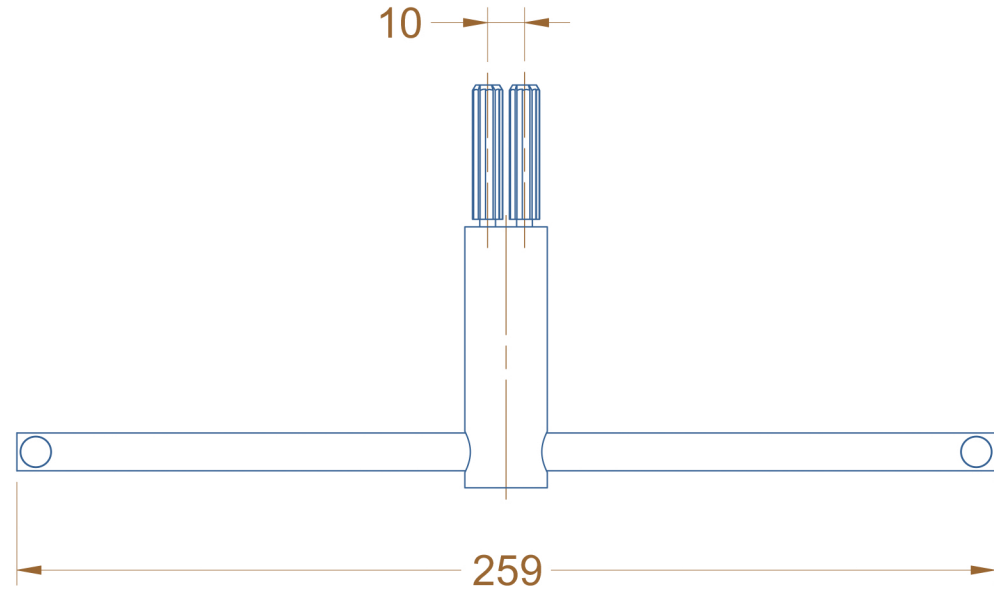
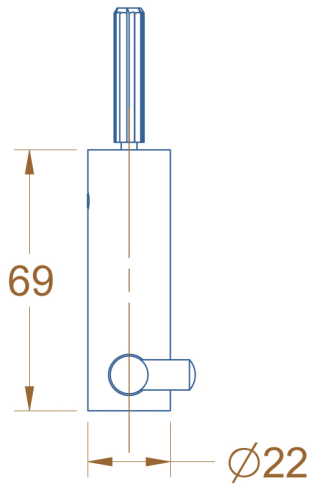


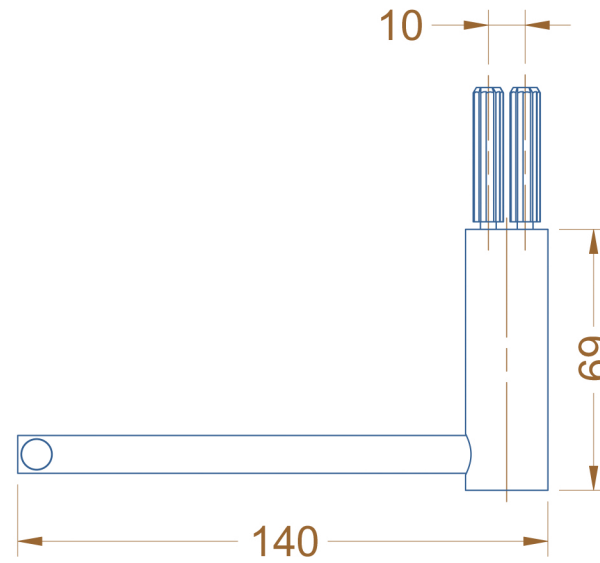
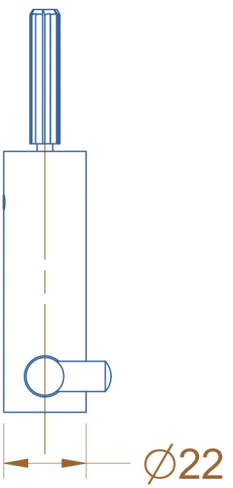
# REVISION TABLE

LETTER	DATE
A	02.12.15



# REVISION TABLE

LETTER	DATE
A	02.12.15



# REVISION TABLE

LETTER	DATE
A	02.12.15

