

UNLESS OTHERWISE SPECIFIED: DIMENSIONS ARE IN MILLIMETERS SURFACE FINISH: TOLERANCES: LINEAR: ANGULAR:		FINISH: Brushed	DEBUR AND BREAK SHARP EDGES	DO NOT SCALE DRAWING	REVISION
				© Copyright Rainware 2014	
NAME	SIGNATURE	DATE		TITLE: 8008 Marengo Shower Arm	
DRAWN	Sevan Balfour	13.11.14			
CHEK					
APPVD					
MFG	Rainware Pty Ltd				
Q.A			MATERIAL: 316 Stainless Steel	DWG NO.	A4
			WEIGHT:	SCALE:1:5	SHEET 1 OF 1

Marengo Shower Rose Installation & Assembly Instructions

1. Marengo shower is disassembled for packaging please follow instructions to make assembly and installation easier. **Please do not disassemble the rose head** it has been pretested and is watertight.
2. **Before assembling the rose head to the tubing**, screw the tubing to the 1/2" BSP thread on the wall clock wise. Position the hole marked top at the top.
3. For Masonry walls: Mark the wall to drill 3 x 8mm holes for the plastic wall plugs provided. Holes need to be at least 45mm deep.
4. For Timber walls: Mark the wall and drill 3 x 3mm holes to limit splitting of timber.
5. Unscrew the tubing off the wall to make assembly easier.
6. Drill holes in wall and insert plastic wall plugs if required.
7. To assemble the rose to the tubing follow the next steps.
8. Remove button head screws in Tubing (A) and Rose head (B) refer to picture page.
9. Leaving the brass wall body attached to the hose inside the tube. Slide the hose out of tubing at the rose end.
10. Attach the rose head to the hose (Diagram C), connection should be hand tight then 1/4 turn with spanner. **Do not over tighten, Do not use thread sealer or thread tape.**
11. Slide the hose back into the tube so the rose head is flush with end of tubing.
12. Screw in button head bolt through hole in tubing into black plastic body on rose head (Bolt B).
13. At the wall end (Flanged end) push in brass wall body into tube and rotate so the holes line together. Screw in button head bolt through tubing into brass wall body locating it into position (Bolt A).
14. Your Marengo shower rose is now assembled and ready to attach to the wall.
15. **Important: Flush pipe work** before attaching to the wall.
16. Check the flow regulator is in position in the brass wall body and held in place by a green washer.
17. It is preferable to use liquid thread sealer instead of standard thread tape as it helps to position the shower easier. Use the thread sealer on both male (wall) & female (shower) threads to get a good seal.
18. Screw the rose and tubing assembly onto the wall in a clock wise direction.
19. Locate the rose into a usable position, turn until the rose is level across the SS cover. A spirit level may assist in levelling.
20. Turn on and test for leaks, if a leak occurs unscrew and reapply thread sealant.
21. Slide the cover away from the wall and attach plate with fixing screws provided.
22. Slide cover to cover wall plate.
23. If cover is loose and won't stay in position use a small amount of silicone to hold in place.
24. Your shower is ready for use.

Some instantaneous hot water heaters will not work with flow rates below 9 litres per minute. Check with the manufacturer of the hot water system prior to installation.

Performance:

The Shower rose will operate at the designed flow rate as shown on the WELS Label within the minimum pressure of 150 KPA to Maximum pressure range 500 KPA.



Thank you for purchasing a Rainware Product.

Items supplied in your Carton:

1. Marengo Rose head
2. Marengo Tubing assembly with Flow regulator
3. 3 x SS Fixing Bolts
4. 3 x plastic wall plugs
5. 4mm Allen Key

Other items to help with installation that is not included in your Carton:

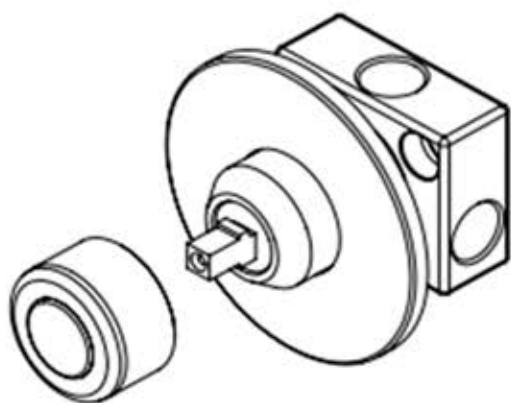
Spirit Level

Drill with 3mm Timber bit or 8mm Masonry bit

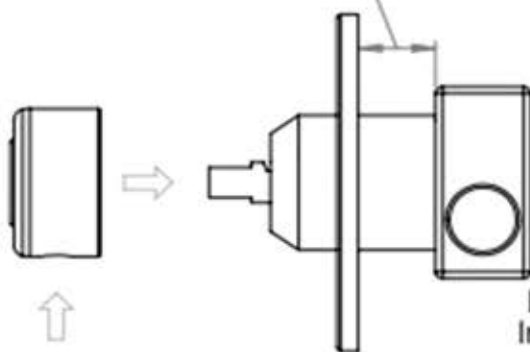
Liquid Thread sealer (Available from plumbing stores or hardware stores)

Spanner to tighten fixing bolts

SS Cleaner to wipe down after installation e.g. Steelkleen

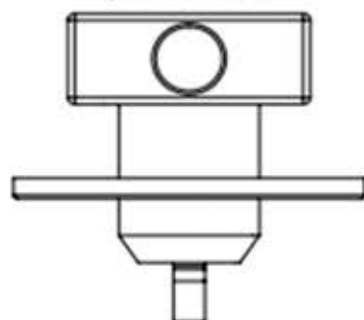


Max Distance
from Brass Body to
Stainless Cover Plate
30mm



Hot & Cold Water
Inlets on Both Sides
1/2 Inch BSP

Mixed Water
Outlet at Top
1/2 Inch BSP



UNLESS OTHERWISE SPECIFIED:
DIMENSIONS ARE IN MILLIMETERS
SURFACE FINISH:
TOLERANCES:
LINEAR:
ANGULAR:

FINISH:

Machined

DESIGN AND
BREAK SHARP
EDGES

DO NOT SCALE DRAWING

REVISION

© Copyright Rainware 2014

	NAME	SIGNATURE	DATE		
DRAWN	Stevan Balfour		11-11-14		
CHECKED					
APPROVED					
MFG	Rainware Pty Ltd				
Q.A.					
				MATERIAL:	
				316 Stainless Steel	
				WEIGHT:	

TITLE:

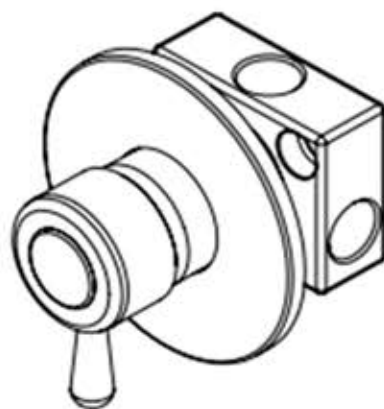
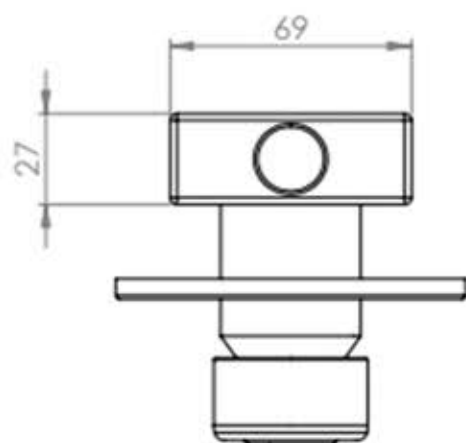
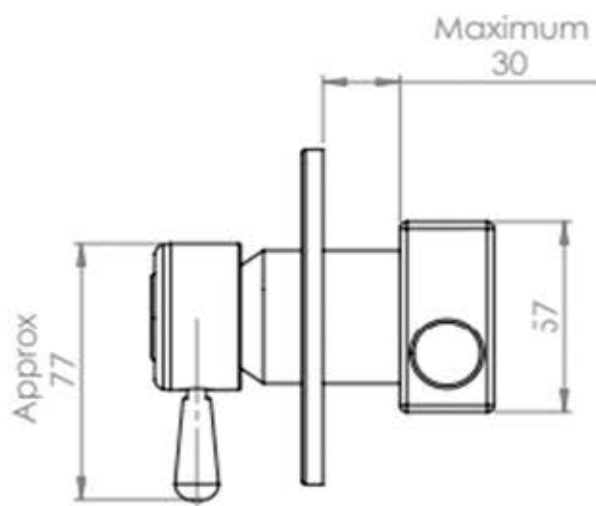
8700 Marengo Mixer
Instruction Details

DWG NO.

A4

SCALE: 1:2

SHEET 1 OF 1



UNLESS OTHERWISE SPECIFIED:
DIMENSIONS ARE IN MILLIMETERS
SURFACE FINISH:
TOLERANCES:
LINEAR:
ANGULAR:

FINISH

Machined

DEBUR AND
BREAK SHARP
EDGES

DO NOT SCALE DRAWING

REVISION

© Copyright Rainware 2014

NAME	SIGNATURE	DATE			
DRAWN: Stevan Balfour		11-11-14			
CHECKED:					
APPROVED:					
MFG: Rainware Pty Ltd					
Q.A.					
			MATERIAL:		
			316 Stainless Steel		
			WEIGHT:		

TITLE:	8700 Marengo Mixer
DWG NO.	A4
SCALE: 1:2	SHEET 1 OF 1



ABN: 96 640 055 079 ACN: 134 925 705

Marengo Mixer Installation Instructions

Attention Plumber:

Please leave these instructions for the owner once installed.

To ensure the optimum performance and customer satisfaction please adhere to the following:

1. Flush out all pipe work prior to installation.
2. If the water pressure exceeds or is likely to exceed 500kpa due to pressure fluctuations at any time, an approved Pressure Limiting Valve must be fitted.
3. If the water temperature exceeds 60deg.C an approved Tempering Valve must be fitted.
Failure to comply with the above will void all warranties.

Technical Data

Rainware mixers are designed to be suitable for:

- Equal Pressure Systems
- Minimum Water Pressure for satisfactory operation: 100kpa
- Recommended operating pressure: 100 - 500kpa
- Maximum test water pressure: 500kpa
- Maximum water temperature 80deg C.
- Not recommended for use with domestic gravity- feed hot water systems.
- Australia Standards AS 3500.1 or relevant Local Authority requirements.
- 10 year outdoor warranty.

Installation information

The mixer can be mounted up to 30mm behind finished wall surface.

Locate the correct position of the mixer by ensuring the Hot Inlet, enters from the left, when the outlet to the shower is at the top.

1. Position the mixer against a mounting bracket within the maximum and minimum depth allowed and fix.
2. Connect water supply to the mixer and water supply from the mixer to the shower outlet. Fit temporary stop to outlet, turn on water supply and check for leaks.
3. Place plastic cover over mixer to protect against render & paint etc.
4. After the wall lining / render is finished remove plastic cover.
5. Slide face plate over mixer (Lubrication of o'ring may be required) and fix in place with silicone.
6. Fit handle to shaft on mixer and hold in place by screwing in pin on under side. (**Do not over tighten** – damage to cartridge may occur causing the handle to fall off)

If a brown staining (TEA STAIN) occurs:

Clean your new stainless steel shower with a Hillmark Steelkleen wipe. These wipes are designed to remove finger prints, water marks and prevent brown staining. Should light scratching occur or brown staining, use a Scotch Brite green pot scourer and rub up & down the shower in the direction of the grain.(Not across the grain) To help with removal of brown staining use dishwashing liquid on a wet Scotch Brite. Please be aware we use structural grade stainless steel and sometimes there are flaws or scratches in the tube. We do our best to remove these before manufacture. To keep your shower looking good wipe over your shower regularly with Steelkleen Stainless Steel spray (purchased through most supermarkets). We use 316 Stainless Steel which doesn't rust.

Rainware use Ewing's Industries 35mm Ningbo cartridges.

They are available for replacement through most plumbing stores and Rainware Pty Ltd.

Rainware Pty Ltd: Phone 0754 926 200
Mobile 0411 660 933
Fax 0754 926 788
Email: admin@rainware.com.au