

MANHATTAN WALL MIXER SET

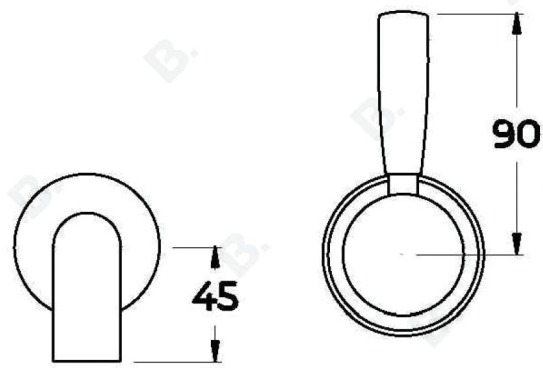
1.9106.04.0,XX

1.9106.54.0,XX: FLOW CONTROLLED VARIANT

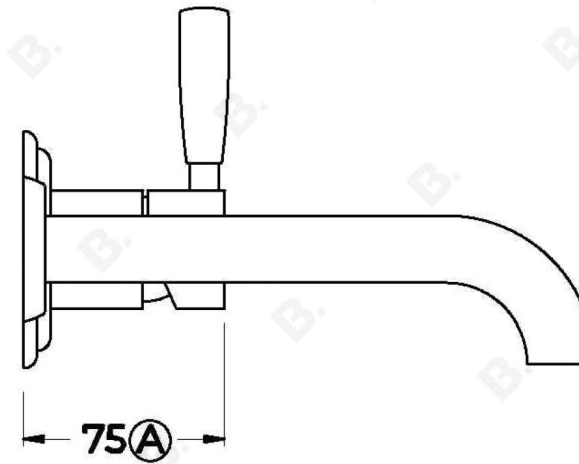


PRODUCT DIMENSIONS:

Front view:



Side view:



Top view:

