

LENZACOMFORT+

WALL HUNG PAN

CODE: LZ310



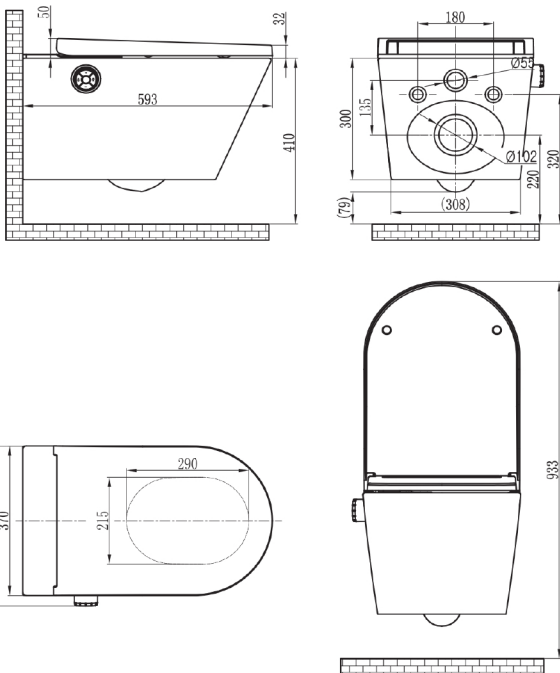
gallaria

intelligentbathrooms®



- Inclusions**
- ✓ LENZACOMFORT+ WALL HUNG PAN with Intelligent Bidet Seat
 - ✓ Wireless remote control
 - ✓ Waste pipes
 - ✓ Water filter
 - ✓ Check valve/ball valve & inlet hose

- Features**
- Instantly heated water
 - Self-cleaning shower spray nozzle with rear and woman's wash functions, oscillating and pulsating spray, adjustable water temperature, water pressure and nozzle position
 - Air blower/dryer
 - Deodoriser
 - Built-in LED night light
 - Soft close seat
 - Rimless pan for reduced bacteria build-up
 - Fully concealed water and electrical connections
 - Back-flow Prevention (Air Gap)



Notes for the installer

The maximum water pressure for water supply is 500kpa.

Power supply requirements: Dedicated 10A min, 220~240V AC, 50/60Hz supply

The water filter has a service life of approximately 12 months.

WELS: 0016 | 4 Stars Wels Rating



Remote Control (Included)

Requires 2 x AAA batteries (not included)

WELS: 0016
WM: 030025