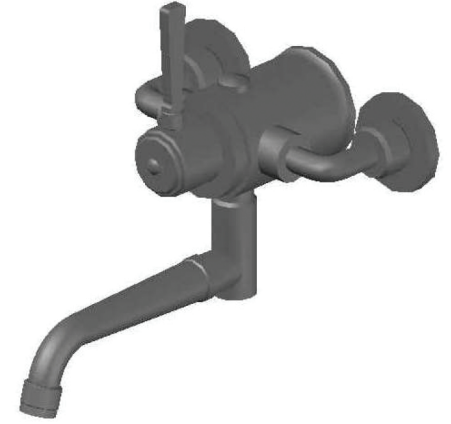


## INDUSTRICA WALL SET WITH METAL LEVER

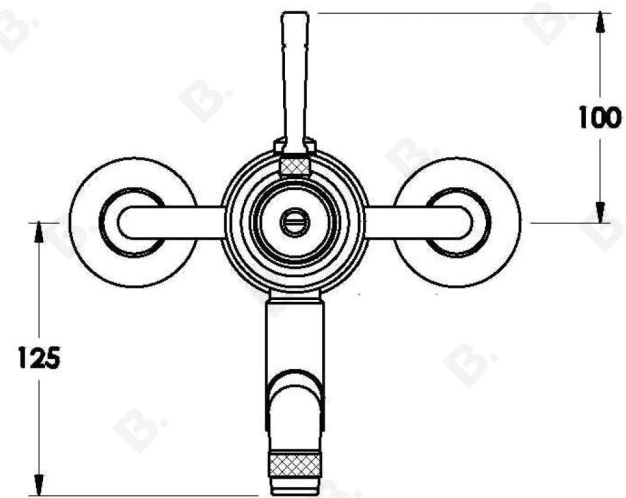
1.6729.00.0.XX

1.6729.50.0.XX: Flow controlled variant

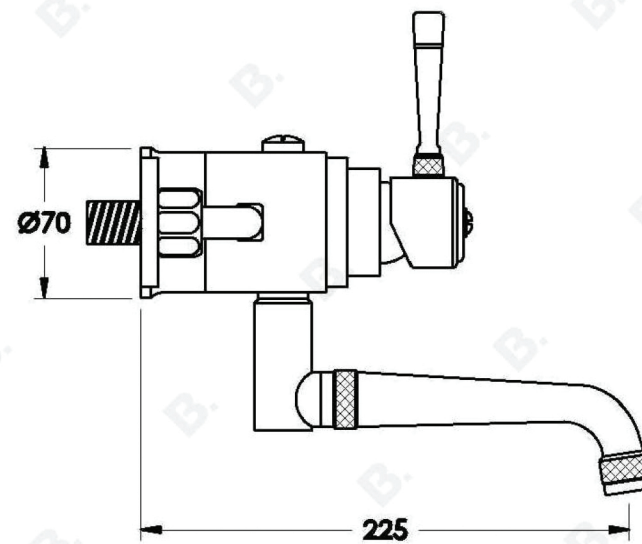


### PRODUCT DIMENSIONS:

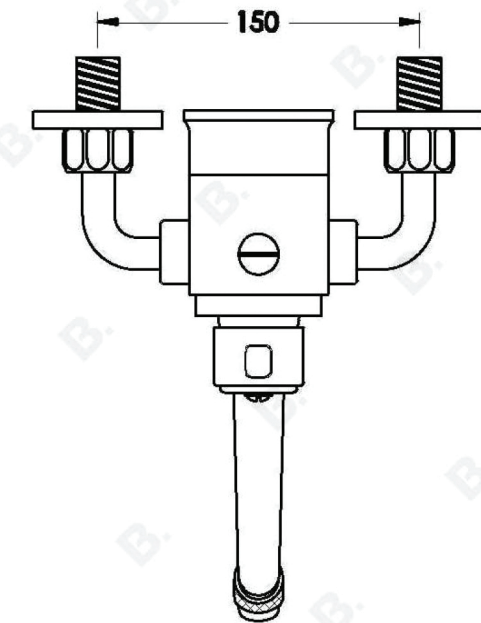
Front view:



Side view:



Top view:



Note: 1/2" BSP female fittings required in the wall

XX suffix indicated finish  
Dimensions subject to change without notice  
All dimensions are approximate  
Ⓐ Approximate distance  
Copyright © Brodware 2020