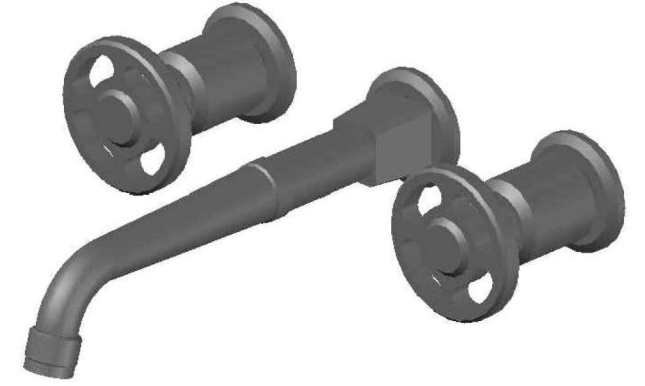


INDUSTRICA WALL SET WITH CROSS HANDLES

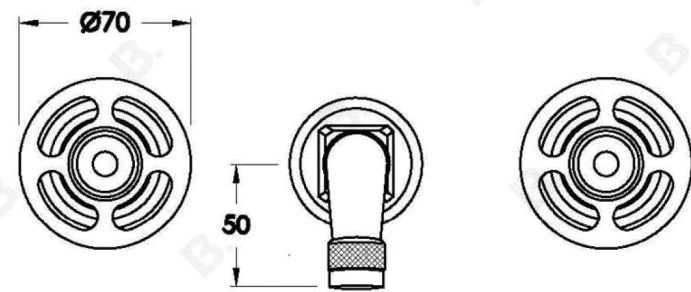
1.6706.00.2.XX

1.6706.50.2.XX: Flow controlled variant

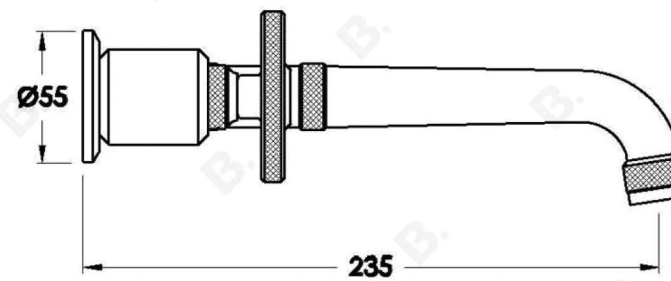


PRODUCT DIMENSIONS:

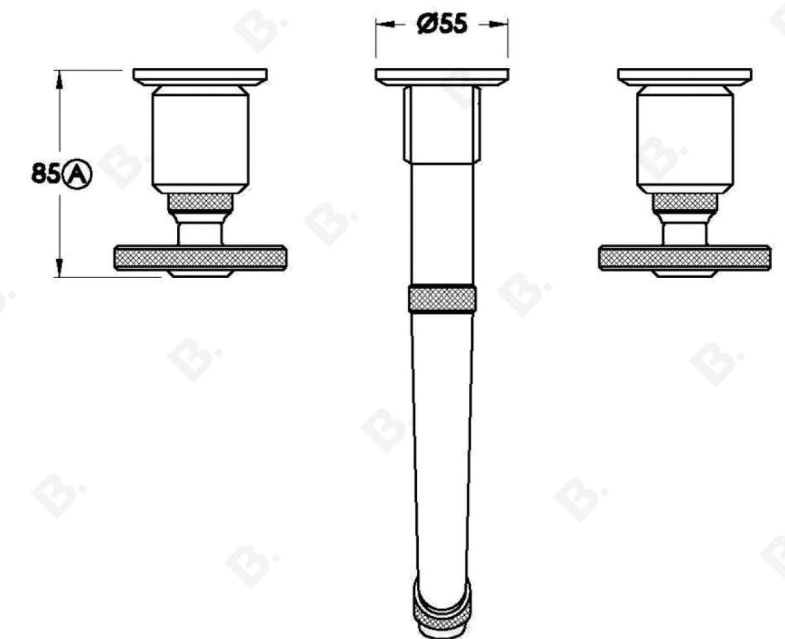
Front view:



Side view:



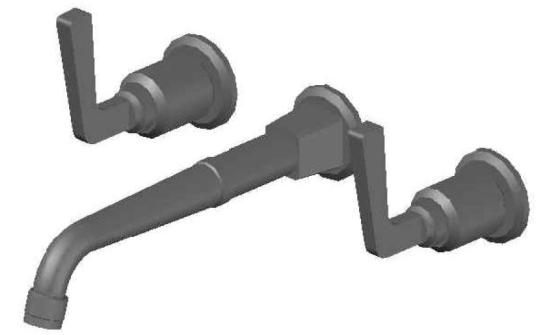
Top view:



INDUSTRICA WALL SET WITH METAL LEVERS

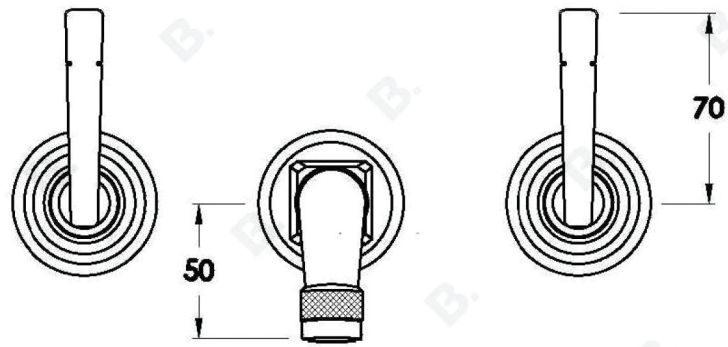
1.6706.00.3.XX

1.6706.50.3.XX: Flow controlled variant

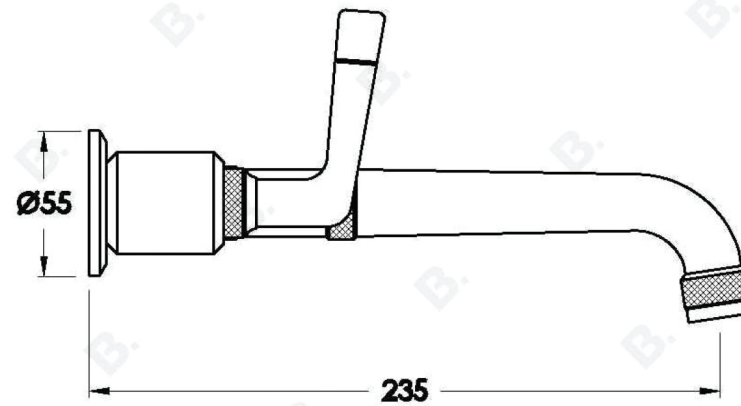


PRODUCT DIMENSIONS:

Front view:



Side view:



Top view:

